

MAIN FEATURES

∅ 88 mm through hollow shaft encoder designed for middle size asynchronous motors.

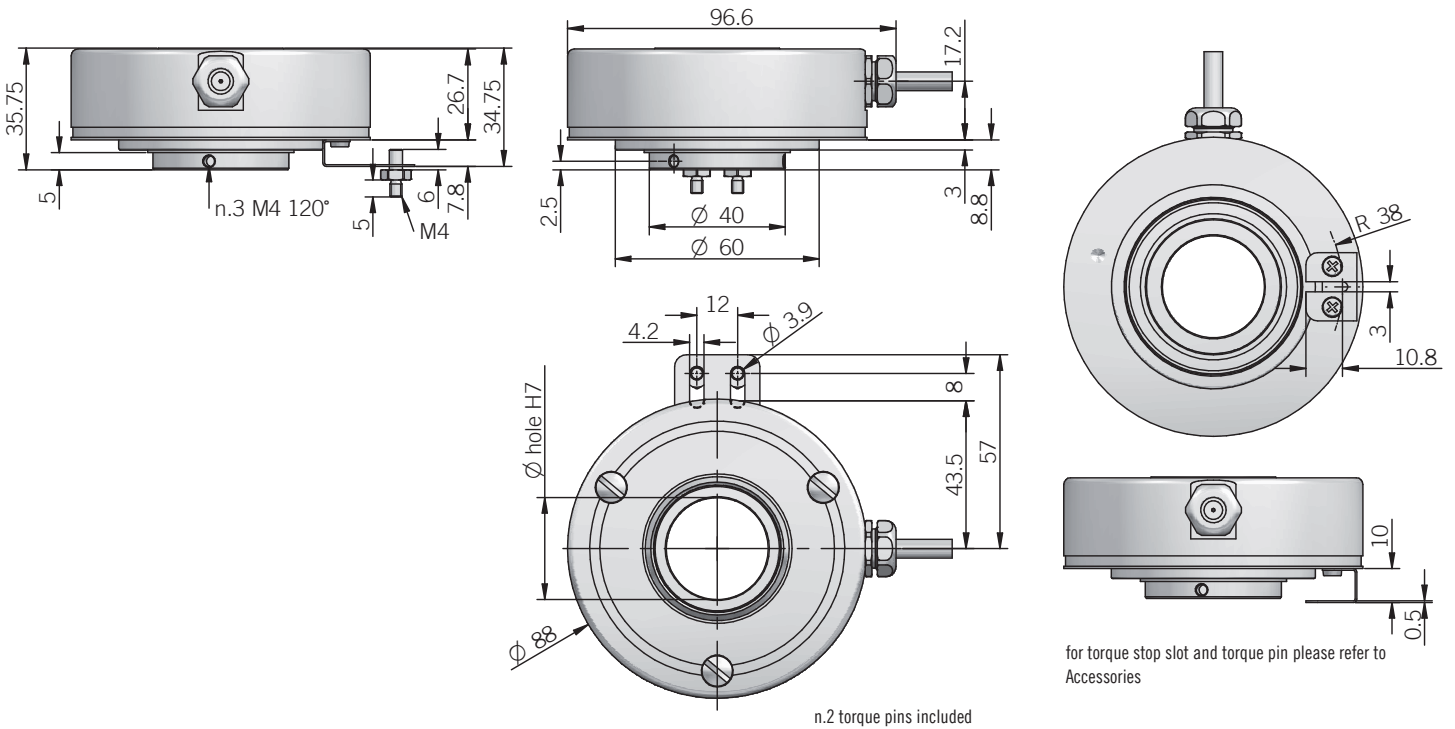
- 3 channel encoder (A / B / Z) up to 2500 ppr
- Power supply up to +28 V DC with several electrical interfaces available
- Up to 105 kHz output frequency
- Cable output, connector available on cable end
- Sturdy mechanic
- 25 or 30 mm bore diameter, others on request
- Shaft fixing with grub screws



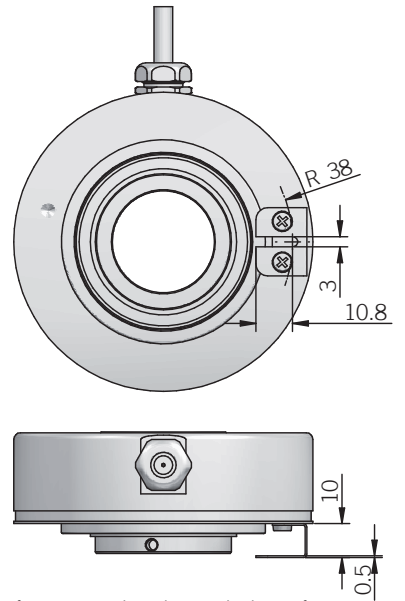
ORDERING CODE	EH	88P	1024	S	5/28	P	30	S	3	PR	.XXX
---------------	----	-----	------	---	------	---	----	---	---	----	------

<p>SERIES incremental encoder series EH incremental encoder series EL</p> <p>MODEL through hollow shaft with torque stop slot 88P</p> <p>RESOLUTION (mod. EH) max ppr 2500 (mod. EL) max ppr 2048 refer to the available pulses list</p> <p>ZERO PULSE without zero pulse S with zero pulse Z</p> <p>POWER SUPPLY (with L electrical interface) 5 V DC 5 (with L electrical interface) 8 ... 24 V DC 8/24 5 ... 28 V DC 5/28</p> <p>ELECTRICAL INTERFACE NPN open collector C push-pull P line driver L (mod. EH) power supply 5/28V - output RS-422 RS</p> <p>SHAFT DIAMETER mm 25 mm 30 please directly contact our offices for other diameters</p> <p>ENCLOSURE RATING IP 65 S</p> <p>MAX ROTATION SPEED 3000 rpm 3</p> <p>OUTPUT TYPE radial cable (standard length 0,5 m) PR preferred cable lengths 1,5 / 2 / 3 / 5 / 10 m, to be added after OUTPUT TYPE (eg. PR5)</p> <p>VARIANT custom version XXX</p>											
--	--	--	--	--	--	--	--	--	--	--	--

88 P



OPTIONAL TORQUE STOP SLOT



dimensions in mm

ELECTRICAL SPECIFICATIONS

Resolution	from 250 to 2500 ppr (EH series) from 2 to 2048 ppr (EL series)
Power supply¹	5 = 4,5 ... 5,5 V DC 5/28 = 4,75 ... 29,4 V DC 8/24 = 7,6 ... 25,2 (reverse polarity protection)
Current consumption without load	100 mA max
Max load current	C / P = 50 mA / channel L / RS = 20 mA / channel
Electrical interface²	NPN open collector (pullup max +30V DC) push-pull / line driver HTL (AEIC-7272) line driver RS-422 (AELT-5000 or equivalent)
Max output frequency	105 kHz
Counting direction	A leads B clockwise (shaft view)
Electromagnetic compatibility	according to 2014/30/EU directive
RoHS	according to 2015/863/EU directive
UL / CSA	certificate n. E212495

CONNECTIONS

Function	Cable C / P	Cable L / RS
+V DC	red	red
0 V	black	black
A+	green	green
A-	/	brown or grey
B+	yellow	yellow
B-	/	orange
Z+	blue	blue
Z-	/	white
⊥	shield	shield

MECHANICAL SPECIFICATIONS

Shaft diameter	∅ 25 / 30 mm
Enclosure rating	IP 65 (IEC 60529)
Max rotation speed	3000 rpm
Shock	50 G, 11 ms (IEC 60068-2-27)
Vibration	20 G, 10 ... 2000 Hz (IEC 60068-2-6)
Moment of inertia	45 x 10 ⁻⁶ kgm ² (10,68 x 10 ⁻⁴ lbf ²)
Starting torque (at +20°C / +68°F)	< 0,1 Nm (14,16 Ozin)
Bearing stage material	EN-AW 2011 aluminum
Shaft material	1.4305 / AISI 303 stainless steel
Housing material	EN-AW 2011 aluminum
Bearings	n.2 ball bearings
Bearings life	10 ⁹ revolutions
Operating temperature^{3,4}	-10° ... +70°C (+14° ... +158°F)
Storage temperature⁴	-25° ... +85°C (-13° ... +185°F)
Weight	350 g (12,35 oz)

¹ as measured at the transducer without cable influences
² for further details refer to OUTPUT LEVELS on TECHNICAL BASICS section
³ measured on the transducer flange
⁴ condensation not allowed

EH SERIES RESOLUTIONS

250 - 256 - 500 - **512** - 700 - 720 - **1000** - **1024** - 1440 - 2500

EL SERIES RESOLUTIONS

2 - 5 - 90 - 100 - 200 - **360** - 400 - 600 - 900 - **2000** - 2048

please directly contact our offices for other pulses, preferred resolutions in bold