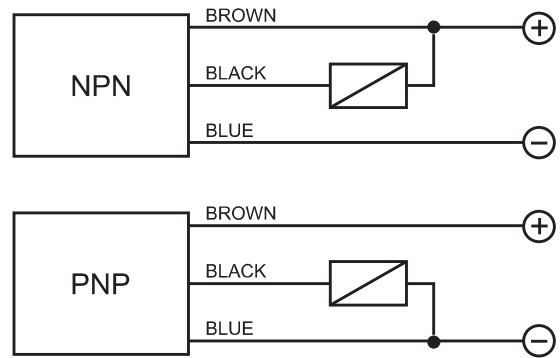


**10÷30 V DC - 3 WIRES NPN OR PNP OUTPUT**

- Range, 0,8mm - flush
- NO output

**WIRING DIAGRAMS**



**TECHNICAL DATA**

|                                 | FLUSH  |
|---------------------------------|--|
| NOMINAL SWITCHING DISTANCE (Sn) | 0,8 mm                                       |
| NOMINAL VOLTAGE                 | 10 ÷ 30 VDC (-15 / +10%)                     |
| RESIDUAL RIPPLE                 | ≤ 10%  |
| HYSTERESIS                      | < 10%  |
| MAX. OUTPUT CURRENT             | 100 mA                                       |
| RESIDUAL CURRENT                | ≤ 10 mA                                      |
| VOLTAGE DROP (Sensor ON)        | < 1 V (I = 100 mA)                           |
| OPERATION LED                   | Present                                      |
| SWITCHING FREQUENCY             | 2000 Hz                                      |
| START UP DELAY                  | ≤ 50 ms                                      |
| REPEATABILITY                   | ≤ 1%   |
| SHORT CIRCUIT PROTECTION        | Present (self-resetting)                     |
| ELECTRIC PROTECTIONS            | Against polarity reversal<br>inductive loads |
| TEMPERATURE LIMITS              | - 25 ÷ +60 °C                                |
| PROTECTION DEGREE               | IP 67  |
| CABLE LENGTH                    | 2 m  |
| CABLE SECTION                   | 3 x 0.14 mm <sup>2</sup>                     |
| HOUSING MATERIAL                | Stainless-steel                              |
| WEIGHT - Cable output -         | 50 g   |



**DIMENSIONS (mm)**

CONFIGURATION WITH CABLE

