

## ExEIL580-SC

Solid shaft with clamping flange

100...5000 pulses per revolution

### Overview

- Size  $\varnothing 58$  mm
- Precise optical sensing
- Output signal level TTL or HTL
- Clamping flange
- Connection axial, radial or tangential
- Pulses per revolution up to 5000
- High resistance to shock and vibrations
- Option 0122, Explosion protection zone 22



### Technical data

#### Technical data - electrical ratings

Voltage supply	5 VDC $\pm 5$ % 8...30 VDC 4.75...30 VDC
Reverse polarity protection	Yes
Short-circuit proof	Yes (HTL) Yes (TTL, max. 1 s and 1 signal)
Consumption w/o load	$\leq 70$ mA
Pulses per revolution	100 ... 5000
Phase shift	$90^\circ \pm 10^\circ$
Duty cycle	40...60 %
Reference signal	Zero pulse, width $90^\circ \pm 10$ %
Sensing method	Optical
Output frequency	$\leq 300$ kHz (TTL) $\leq 160$ kHz (HTL)
Output signals	A+, B+, R+, A-, B-, R-
Output stages	TTL/RS422 HTL/push-pull
Interference immunity	DIN EN 61000-6-2
Emitted interference	DIN EN 61000-6-3
Approval	UL 508 / CSA 22.2

#### Technical data - mechanical design

Size (flange)	$\varnothing 58$ mm
---------------	---------------------

#### Technical data - mechanical design

Shaft type	$\varnothing 10 \times 20$ mm, solid shaft with flat
Admitted shaft load	$\leq 40$ N axial $\leq 80$ N radial
Flange	Clamping flange
Protection EN 60529	IP 65
Operating speed	$\leq 12000$ rpm (+20 °C) $\leq 11000$ rpm (+40 °C) $\leq 8000$ rpm (+60 °C)
Starting torque	$\leq 0,015$ Nm (+20 °C)
Material	Housing: aluminium die-cast Flange: aluminium Solid shaft: stainless steel
Ambient temperature	-20...+60 °C
Relative humidity	90 % non-condensing
Resistance	DIN EN 60068-2-6 Vibration 30 g, 10-2000 Hz DIN EN 60068-2-27 Shock 300 g, 6 ms
Explosion protection	II 3 D Ex tc IIIC T135°C Dc X (dust): see special conditions "X"
Connection	Flange connector M12, 8-pin Flange connector M23, 12-pin Cable
Weight approx.	300 g

# ExEIL580-SC

Solid shaft with clamping flange  
100...5000 pulses per revolution

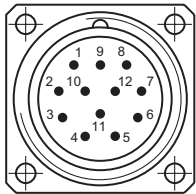
## Terminal assignment

### Flange connector M23, 12-pin / cable

Pin	Core color	Assignment
1	pink	B-
2	–	–
3	blue	R+
4	red	R-
5	green	A+
6	yellow	A-
7	–	–
8	grey	B+
9	–	–
10	white	GND
11	–	–
12	brown	UB

Screen: Connected to housing

Cable data: PVC, [4x2x0.14 mm<sup>2</sup>], bending radius >32.5 mm, outer diameter 6.5 mm



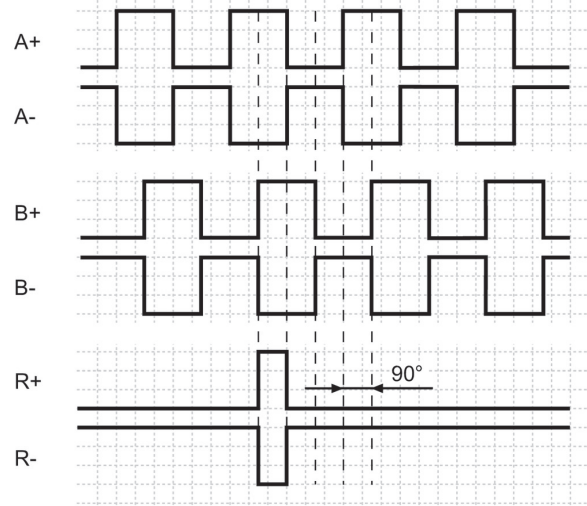
### Flange connector M12, 8-pin

Pin	Assignment
1	GND
2	UB
3	A+
4	A-
5	B+
6	B-
7	R+
8	R-



## Output signals

Clockwise rotating direction when looking at flange.



## Trigger level

Outputs	TTL/RS422
Output level High	$\geq 2.5$ V
Output level Low	$\leq 0.5$ V
Load	$\leq 20$ mA

Outputs	HTL/Push-pull
Output level High	$\geq UB - 3$ V
Output level Low	$\leq 1.5$ V
Load	$\leq 20$ mA

## ExEIL580-SC

Solid shaft with clamping flange

100...5000 pulses per revolution

### Explosion protection

 II 3 D Ex tc IIIC T135°C Dc X (dust)

#### General- and Special conditions „X“:

##### Only put the device into operation if ...

- all necessary precautions have been taken by the operator to make sure device and connector are fully protected against mechanical impacts or shocks in compliance with EN 60079-0, section 26.4.2 (Special conditions „X“).
- the connection is mechanically or electrically secured to prevent any interrupt while the contact is live (Special conditions „X“).
- it has been ensured the electrical connection of product variants with cable outlet or cable couplings is outside zone 22 (Special conditions „X“).
- it has been ensured the maximum operating speed in relation to the ambient temperature is within the specifications on the table „Maximum rotation speed below“ (Special conditions „X“).
- the specifications on the product label match the on-site conditions for use in hazardous areas (EX) (device group, category, zone, temperature class resp. maximum surface temperature).
- the specifications on the product label comply with the prevailing grid conditions.
- the device shows no visible trace of damage (resulting from transport or storage), and
- it has been ensured no explosive atmosphere, oils, acids, gases, vapors, radiation etc. are present during installation.

Observe standard EN 60079-14 for installation and commissioning.

**Device operation must observe the installation and operating instructions. The intended use and application of the device comes under the relevant legislation as well as applicable directives and standards.**

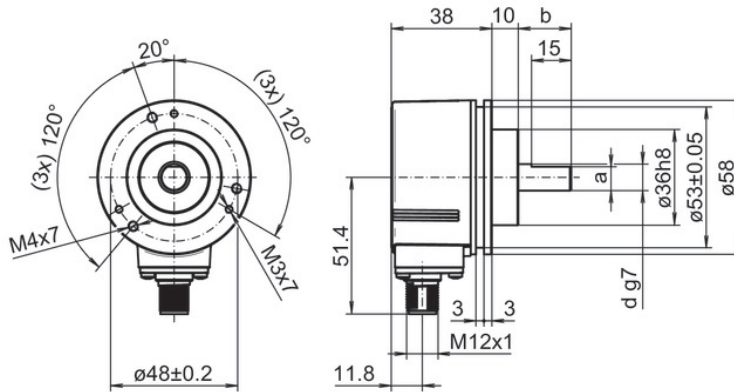
#### Maximum rotation speed

	ambient temperature	rotation speed
solid shaft	20 °C	≤ 12000 rpm
	40 °C	≤ 11000 rpm
	60 °C	≤ 8000 rpm
through hollow shaft	20 °C	≤ 6000 rpm
	40 °C	≤ 4500 rpm
	60 °C	≤ 2500 rpm
blind hollow shaft	20 °C	≤ 8000 rpm
	40 °C	≤ 8000 rpm
	60 °C	≤ 5000 rpm

# ExEIL580-SC

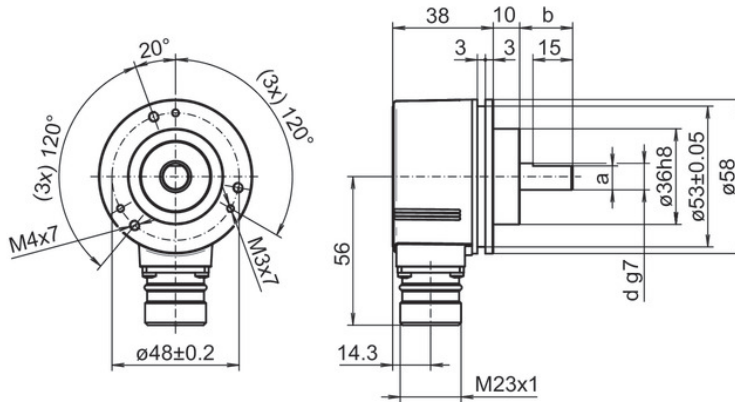
Solid shaft with clamping flange  
100...5000 pulses per revolution

## Dimensions



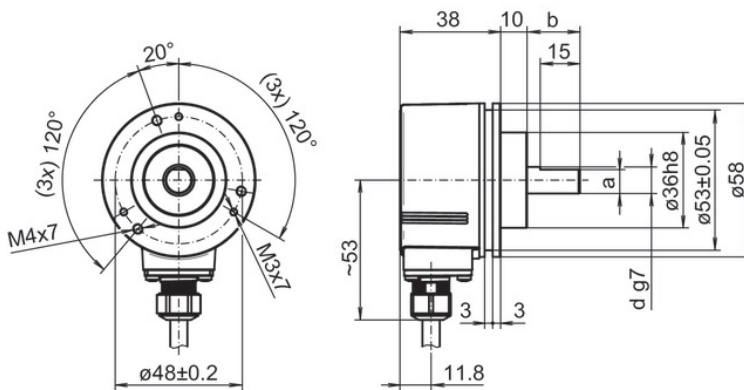
Clamping flange, flange connector M12, radial

d g7	a	b
ø9.525	8.64	20.32
ø10	9.	20



Clamping flange, flange connector M23, radial

d g7	a	b
ø9.525	8.64	20.32
ø10	9.	20



Clamping flange, cable, radial

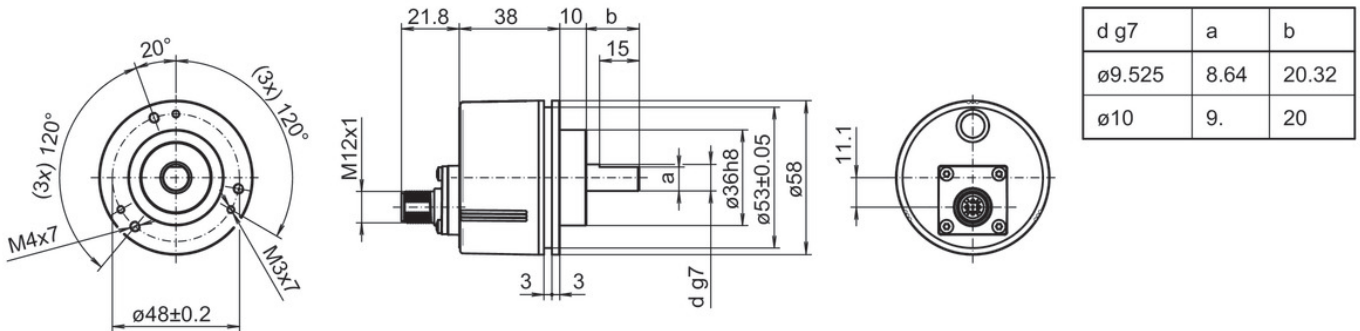
d g7	a	b
ø9.525	8.64	20.32
ø10	9.	20

# ExEIL580-SC

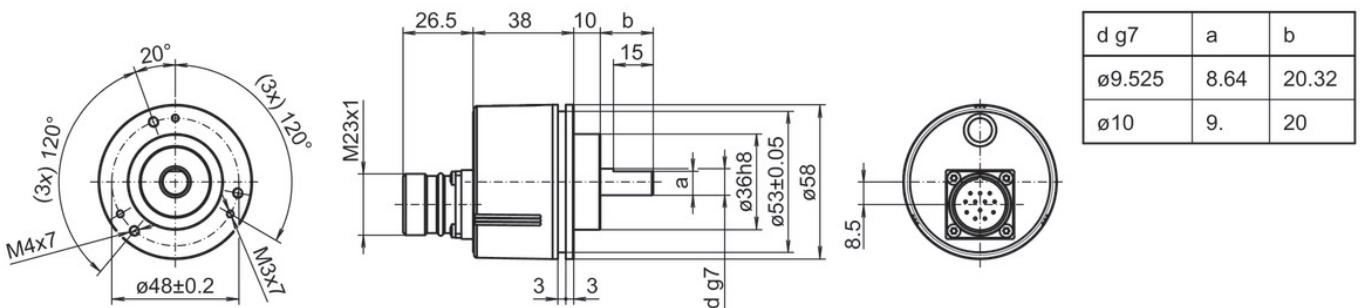
Solid shaft with clamping flange

100...5000 pulses per revolution

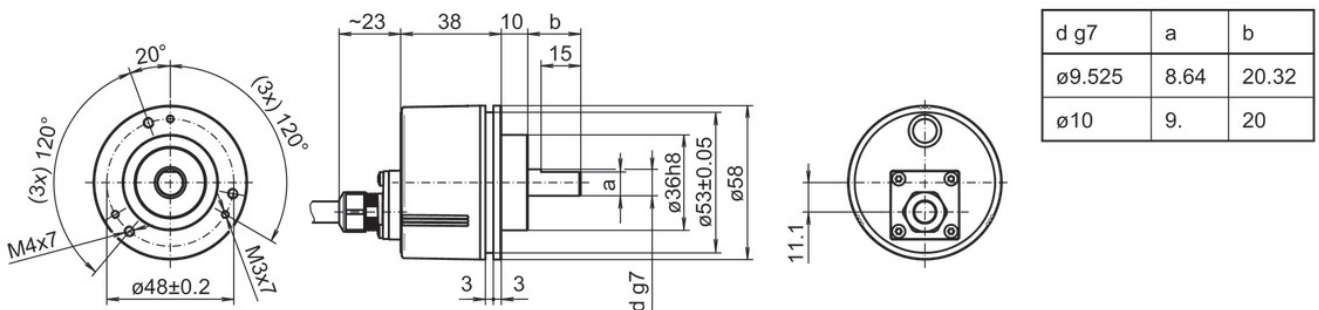
## Dimensions



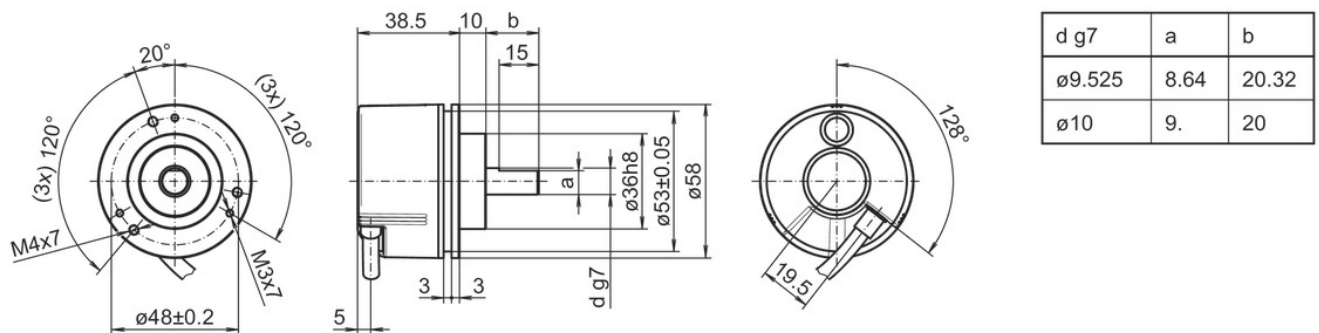
Clamping flange, flange connector M12, axial



Clamping flange, flange connector M23, axial



Clamping flange, cable, axial



Clamping flange, cable, tangential

# ExEIL580-SC

Solid shaft with clamping flange

100...5000 pulses per revolution

**Ordering reference**

	ExEIL580	-	S	C	##	.	5	##	#	.	####	.	F	/	0122
<b>Product</b>	ExEIL580														
<b>Shaft type</b>	Solid shaft			S											
<b>Flange (shaft)</b>	Clamping flange, centering collar Ø36 x 10 mm, pitch circle diameter 48 mm - 3xM3/3xM4			C											
<b>Shaft</b>	ø10 x 20 mm, with flat						10								
	ø3/8" x 4/5" (Ø9.525 x 20.32 mm), with flat						U3								
<b>Protection class</b>	IP 65														5
<b>Connection</b>															
	Cable radial, 1 m														R
	Cable radial, 2 m														L
	Flange socket radial, M23, 12-pin, male contacts, CCW														F
	Flange socket radial, M12, 8-pin, male contacts, CCW														B
	Cable axial, 1 m														T
	Cable axial, 2 m														U
	Flange socket axial, M23, 12-pin, male contacts, CCW														D
	Flange socket axial, M12, 8-pin, male contacts, CCW														A
	Cable tangential, 1 m														P
	Cable tangential, 2 m														Q
<b>Voltage supply / output</b>															
	5 VDC, TTL/RS422, 6 channel														E
	8...30 VDC, TTL/RS422, 6 channel (Vout=5V)														H
	8...30 VDC, HTL/push pull, 6 channel														N
	4,75...30 VDC, HTL/push pull, 6 channel (Vout=Vin)														Q

# ExEIL580-SC

Solid shaft with clamping flange

100...5000 pulses per revolution

**Ordering reference**
**ExEIL580 - S C ## . 5 ## # . ##### . F / 0122**
**Pulse number**

100	100
120	120
150	150
200	200
250	250
256	256
300	300
360	360
400	400
500	500
512	512
600	600
720	720
800	800
900	900
1000	1000
1024	1024
1200	1200
1250	1250
1440	1440
1500	1500
1800	1800
2000	2000
2048	2048
2500	2500
3000	3000
3600	3600
4000	4000
4096	4096
5000	5000

**Operating temperature**

-20...+60 °C

**F**
**Optionen BT**

ATEX Zone 22

**0122**

## ExEIL580-SC

Solid shaft with clamping flange

100...5000 pulses per revolution

### Accessories

#### Mounting accessories

11065915	Coupling CPS25 L=19 d1=04/d2=10
11065918	Coupling CPS25 L=19 d1=07/d2=10
11065920	Coupling CPS25 L=19 d1=08/d2=10
11065921	Coupling CPS25 L=19 d1=09/d2=10
11065922	Coupling CPS25 L=19 d1=10/d2=06
11065923	Coupling CPS25 L=19 d1=10/d2=10
11065924	Coupling CPS25 L=19 d1=10/d2=11
11065925	Coupling CPS25 L=19 d1=10/d2=12
10141132	Spring washer coupling D1=6 / D2=10 (Z 121.C01)
10141133	Spring washer coupling D1=10 / D2=10 (Z 121.C03)
11034138	Spring washer coupling D1=10 / D2=16 (Z 121.C04)
11034140	Spring washer coupling D1=10 / D2=14 (Z 121.C06)
11034141	Spring washer coupling D1=10 / D2=12 (Z 121.C07)
11050507	Bellows coupling aluminium/stainless steel D1=06 / D2=10
11101781	Double loops coupling D1=10 / D2=10
10125051	Mounting adaptor for encoders with clamping flange (M3) (Z 119.017)
11065545	Set of eccentric fixings type A
11101893	Spring encoder arm

#### Connectors and cables

11141051	Female connector M23 with pin lock, 12-pin, CW
----------	--