



SCR102

- temperature range $-50 \div 550^{\circ}\text{C}$
- operating temperature of connection heads max. 150°C
- stainless steel sheath
- mounting flange
- possibility of mounting a 4...20 mA or 0...10 V temperature transmitter
- connection head DANW with local display

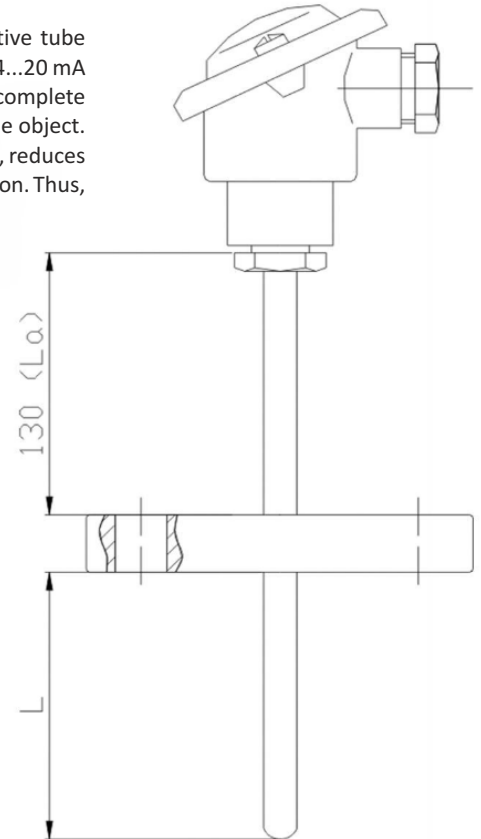
The resistance thermometer **SCR102** consists of an exchangeable measuring insert, outer protective tube (thermowell) with neck, and aluminum connection head. Mounting a temperature transmitter with 4...20 mA or 0...10V output signal is possible. The measuring insert represents the replaceable element of the complete sensor, which reduces the time and costs of maintenance of the measuring apparatus installed in the object. Spring fixation of the measuring insert provides perfect pressure to the bottom of the protecting tube, reduces the time of reaction of temperature changes, and increases the accuracy. It also reduces natural vibration. Thus, mechanical and electrical defects can be avoided.

Application areas:

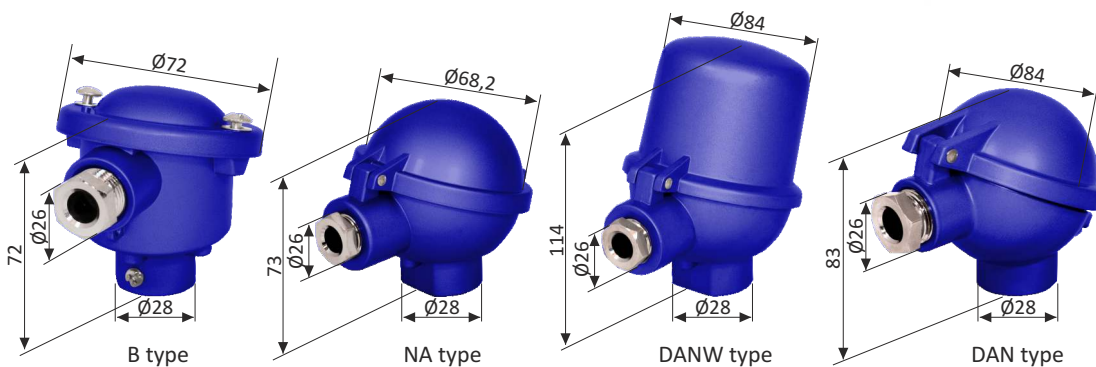
- fine chemical industry,
- light energy industry,
- general industrial services.

TECHNICAL DATA

Sensing element	Pt100, Pt500 or Pt1000 (2-, 3- or 4-wire)
Measuring range	$-50 \div 550^{\circ}\text{C}$
Connection head	B, NA or other, operating temperature $-40 \div 150^{\circ}\text{C}$
Class	A, B or 1/3 B
Sheath	material: stainless steel 1.4541 or other nominal length: 130 mm (standard) or other diameter: 4 ÷ 15 mm flange DN20, DN25 or other



CONNECTION HEAD TYPES

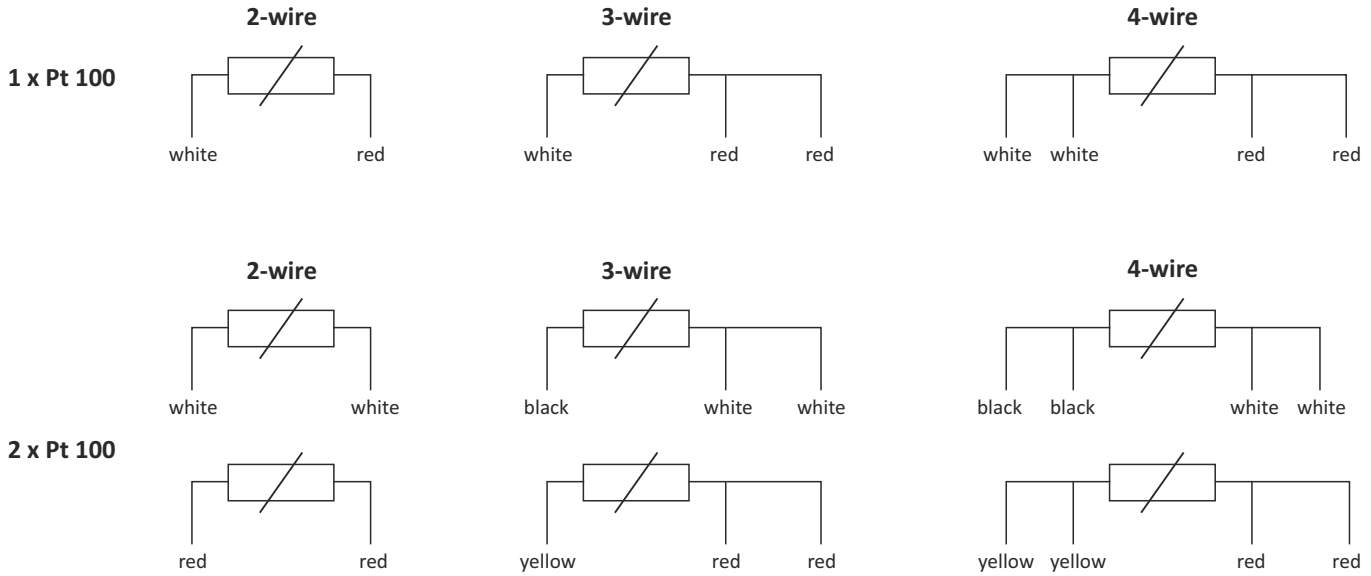


RESISTOR TOLERANCE ACC. TO PN-EN 60751

Class	Tolerance [$^{\circ}\text{C}$]
1/3B	$t = 0,10 + 0,002 \times t $
A	$t = 0,15 + 0,002 \times t $
B	$t = 0,30 + 0,005 \times t $



ELECTRICAL CONNECTION



ORDERING

SCR102-X-X-X-X-X-X-X-X-X

temperature sensor:

- 1 : single
- 2 : double
- PP : with transmitter

sensing element:

- Pt 100
- Pt 500
- Pt 1000
- other, please specify

connection head:

- B
- NA
- other, please specify

sheath length (L):

- 100 mm
- 160 mm
- other, please specify [mm]

length La [mm]:

- S : 130 mm (standard)
- other, please specify

sensor measuring range or temperature transmitter settings:
please specify

measuring circuit:

- 2 : 2-wire
- 3 : 3-wire
- 4 : 4-wire

accuracy class:

- A
- B
- 1/3B

flange:

- DN20 (PN100)
- DN25 (PN100)
- other, please specify

sheath diameter (Ød):

- 6 mm
- 9 mm
- 12 mm
- other, please specify

Ordering example:

SCR102-1-Pt100-B-100-S-9-DN20(PN100)-B-2-150°C

Single RTD temperature sensor, 1xPt100, B tolerance class, 2-wire, B head type, sheath diameter Ø9 mm and length L=100 mm, process connection flange DN20(PN100), sensor measuring range 150°C.

