



Magnetic-inductive flowmeter



measuring
•
monitoring
•
analysing

PITe



- Measuring range:
up to 10 m/s
- Accuracy:
±1,5% of reading
± 2,5% of full scale
- p_{\max} : PN 16; t_{\max} : -20 ... +100 °C
- Connection: welding stub
and M52 x 2 union nut for
DN 80 ... 400
- Material: stainless
steel/PTFE, Hastelloy®
electrodes
- Outputs: analogue with
HART®, pulse and status



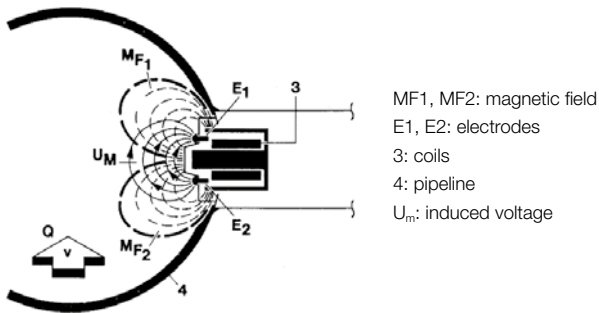
KOBOLD companies worldwide:

AUSTRALIA, AUSTRIA, BELGIUM, BULGARIA, CANADA, CHINA, CZECHIA, FRANCE, GERMANY, GREAT BRITAIN, HUNGARY, INDIA, INDONESIA, ITALY, MALAYSIA, MEXICO, NETHERLANDS, PERU, POLAND, REPUBLIC OF KOREA, RUSSIA, SPAIN, SWITZERLAND, THAILAND, TUNISIA, TURKEY, USA, VIETNAM

KOBOLD Messring GmbH
Nordring 22-24
D-65719 Hofheim/Ts.
☎ Head Office:
+49(0)6192 299-0
+49(0)6192 23398
info.de@kobold.com
www.kobold.com

Description

An electrically conductive medium flowing through an orientated magnetic field in accordance to Faraday's law of induction will induce a voltage proportional to the mean flow velocity rate and hence the volumetric flow. The PITe magnetic inductive flowmeter consists of a tube, here the pipeline, through which a conductive liquid flows, a magnetic field coil and two electrodes. The electrode voltage is detected by a transmitter and converted into standardised electrical signal such as 4-20 mA or pulses. The sensor PITe can be used in combination with the UMF2 transmitter. The transmitter is mounted separately to the sensor.



Application

The magnetic-inductive flow sensor PITe is used to measure the volume flow of liquids, slurries, pastes and other electrically conductive media with almost no pressure drop. Pressure, temperature, density and viscosity do not affect the volume measurements. Solid particles and small gas bubbles should be avoided.

The sensor PITe has the following significant characteristics:

- simple design
- maintenance-free
- very compact design
- almost no pressure drop

Technical Details

Armature:	stainless steel 1.4404, 316L, PTFE
Electrodes:	Hastelloy® (others on request)
Nominal diameters:	DN80 ... DN400, 3" ... 16" ANSI
Process connection:	welding stub Ø40 mm stainless steel 1.4404, 316L with M52x2 union nut stainless steel 1.4404/316L (other connections on request)
Nominal pressure:	PN16 (16 bar/90°C; 14 bar/100°C)
Process temperature:	-20°C ... +100°C, stainless steel, PTFE
Ambient temperature:	-20°C ... +60°C
Conductivity:	≥20 µS/cm
Straight inlet- outlet:	10xD inlet, 5xD outlet
Measuring range:	1 m/s ... 10 m/s
Measurement deviation:	at (Q≥30% of full scale): ±1.5% of reading at (Q≤30% of full scale): ±1.5% of reading ±2.5% of full scale (under reference conditions)
Repeatability:	±0.75% (under reference conditions)
Protection:	IP65 (EN60529), PVC cable IP68 (EN60529), PE cable

Transmitter UMF2



Mounting: remote
 Protection: IP67 (EN60529)
 Housing: die-cast aluminum, painted
 Power supply: 115...230 V_{AC}, 50...60 Hz, 10 VA,
 24 V_{DC}, 10 W

Display: LCD, 2 lines, 16 digits, background lighted
 Interface language: German, English
 Output:
 standard 1 x 0/4-20 mA HART®, active, galvanically isolated
 1 x analogue: passive, galvanically isolated
 2x binary: 1 pulse output, max. 1 kHz free configurable
 1 status output, free configurable e.g. empty pipe detection
 Ambient temperature: -20 °C...+60 °C,
 Communication: HART®
 Diagnostic functions: empty pipe detection, coil current surveillance
 Electromagnetic tolerance: EMC-Directive 2004/108/EG

Specific flow values

Recommended flow according to pipe size

Measuring ranges					
Nominal diameter		Min./max. flow (1-10 m/s)		Recommended measuring range (3-6 m/s)	
[mm]	[inch]	Q _{min} (1 m/s)	Q _{max} (10 m/s)	Q _{min} (3 m/s)	Q _{max} (6 m/s)
80	3	18 m ³ /h	180 m ³ /h	54 m ³ /h	108 m ³ /h
100	4	28 m ³ /h	280 m ³ /h	84 m ³ /h	168 m ³ /h
125	5	43 m ³ /h	430 m ³ /h	129 m ³ /h	258 m ³ /h
150	6	65 m ³ /h	650 m ³ /h	195 m ³ /h	390 m ³ /h
200	8	115 m ³ /h	1150 m ³ /h	345 m ³ /h	790 m ³ /h
250	10	180 m ³ /h	1800 m ³ /h	540 m ³ /h	1080 m ³ /h
300	12	252 m ³ /h	2520 m ³ /h	756 m ³ /h	1512 m ³ /h
400	16	450 m ³ /h	4500 m ³ /h	1357 m ³ /h	2714 m ³ /h



Order Details Sensor (example: PItE S A504 013 H 4 00 0K)

Model	Material	Process connection	Sensor length	Electrode material	Transmitter, remote	Approval/ certificate (order separately)	Supplement equipment
PITe-	S = stainless steel (1.4571/1.4404), PTFE	A504 = weld on adaptor for pipe sizes DN 80... DN 400 309B = flange connection DN25 PN40	013 = 138.5 mm XXX = special ¹⁾	H = Hastelloy® C-4 X = special	4 = IP65, incl. 5 m PVC-cable connection 5 = IP68, incl. 5 m PE cable connection	00 = without approval/certificate 01 = material certificate 2.1 02 = material certificate 2.2 0B = material certificate 3.1 0C = material certificate 3.2	0K = without XK = with (see supplement equipment)

¹⁾ Please indicate special length in cm with 3 digits (e.g. 087 for 870 mm)

Order Details Transmitter (example: UMF2 E1 1 F0BK)

Model	Protection ¹⁾	Power supply	Output signal
UMF2-	E1 = IP 65, remote electronics ½" NPT F1 = IP 65, remote electronics M20x1.5 G1 = IP 68, remote electronics ½" NPT H1 = IP 68, remote electronics M20x1.5	1 = 230 V _{AC} (+10%, -15%) 50/60 Hz 2 = 115 V _{AC} (+10%, -15%) 50/60 Hz 4 = 24 V _{DC} (±15%)	F0BK = current output1: (0)4-20 mA pulse output: passive U _m =24 V _{DC} status output: passive U _m =24 V _{DC} G0BK = current output1: (0)4-20 mA HART® pulse output: passive U _m =24 V _{DC} status output: passive U _m =24 V _{DC}

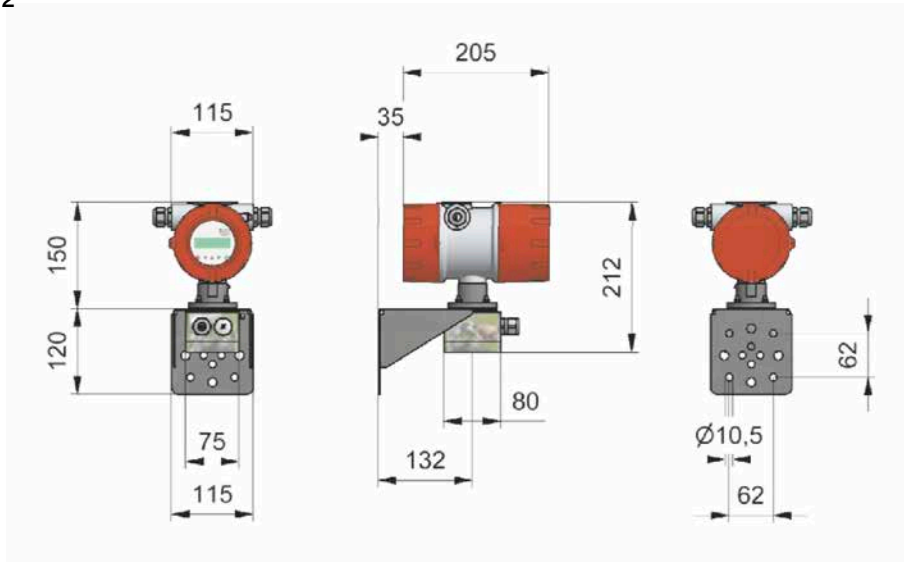
¹⁾ Inclusive pipe mount kit

Order Details Certificates

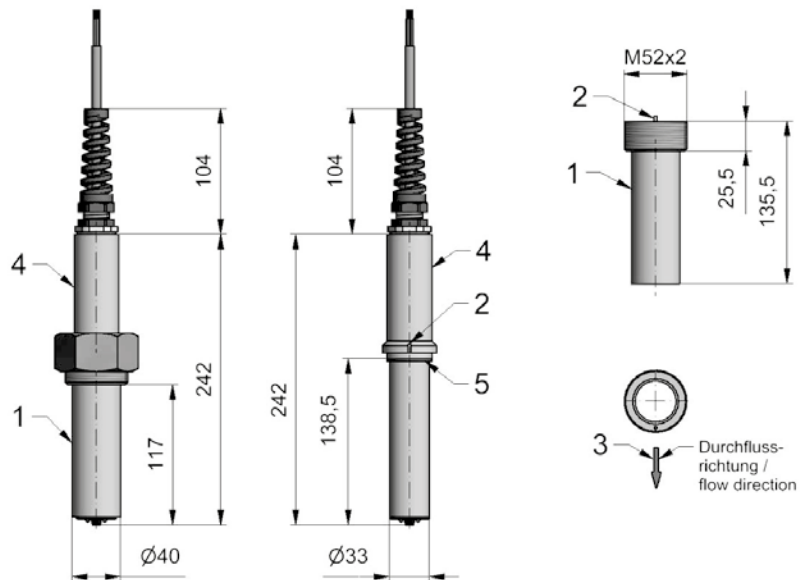
Certificate	Code
Certificate of compliance 2.1	DOK-HMT01
Test report 2.2	DOK-HMT02
Inspection certificate with material analysis 3.1 (DIN EN 10204:2004)	DOK-HMT0B
Inspection certificate with material analysis 3.2 (DIN EN 10204:2004)	DOK-HMT0C

Dimensions [mm]

Transmitter UMF2



Sensor P1Te



- 1: Welding socket
- 2: Anti-rotation lock
- 3: Flow direction
- 4: Armature
- 5: Gasket