



Technical Data

General Data			
Solder pin length	3.45 mm		
min. number of poles	2		
max. number of poles	24		
Insulating material class	CTI 600		
clearance/creepage dist.	4.08 mm		
Protection category	IP00		
Rated current	10 A		
Overvoltage category	III	III	II
Pollution degree	3	2	2
Rated voltage	320 V	800 V	800 V
Rated test voltage	4 kV	4 kV	4 kV

Approvals

 V / A	300 / 15
approval UL - File No.	E121004
 1.5 mm ²	320 V / 4 kV / 13.5 A / 1.0 x 1.0 mm

Material

insulating material	PA66
flammability class	V0
contact pin material	CuFe
contact pin surface	Ni + Ag
Thread insert	CuZnPb
Glow-Wire Flammability GWFI	960 °C acc. to IEC 60695-2-12
Glow-Wire Flammability GWIT	775 °C acc. to IEC 60695-2-13
REACH	compliant
REACH - substance (SVHC)	Lead / 7439-92-1

Climatic Data

upper limit temperature	105 °C
lower limit temperature	-40 °C

general

Tolerance	ISO 2768 -mH
Solderability	Acc. to JEDEC JESD22-B102E 245°C/5s

U | Contact

Data sheet
PT116xxHBBF Typ 236

Page 3/6

P/N
312361xx

xx=number of poles

2022/04/05

Version: X

Accessories

P/N	Designation
700024-01-9	Coding star white
700523-0157	Geh_Kappe_swg_Block



U | Contact

Data sheet
PT116xxHBBF Typ 236

Page 4/6

P/N
312361xx

xx=number of poles

2022/04/05

Version: X

Counterpart of

P/N	Designation
312171	RP036xxHBLF Typ 217
312181	RP036xxHBL S Typ 218
312511	RP016xxVBLF Typ 251
SP066XXVBNF	SP066xxVBNF
SP066XXVBPF	SP066xxVBPF

U | Contact

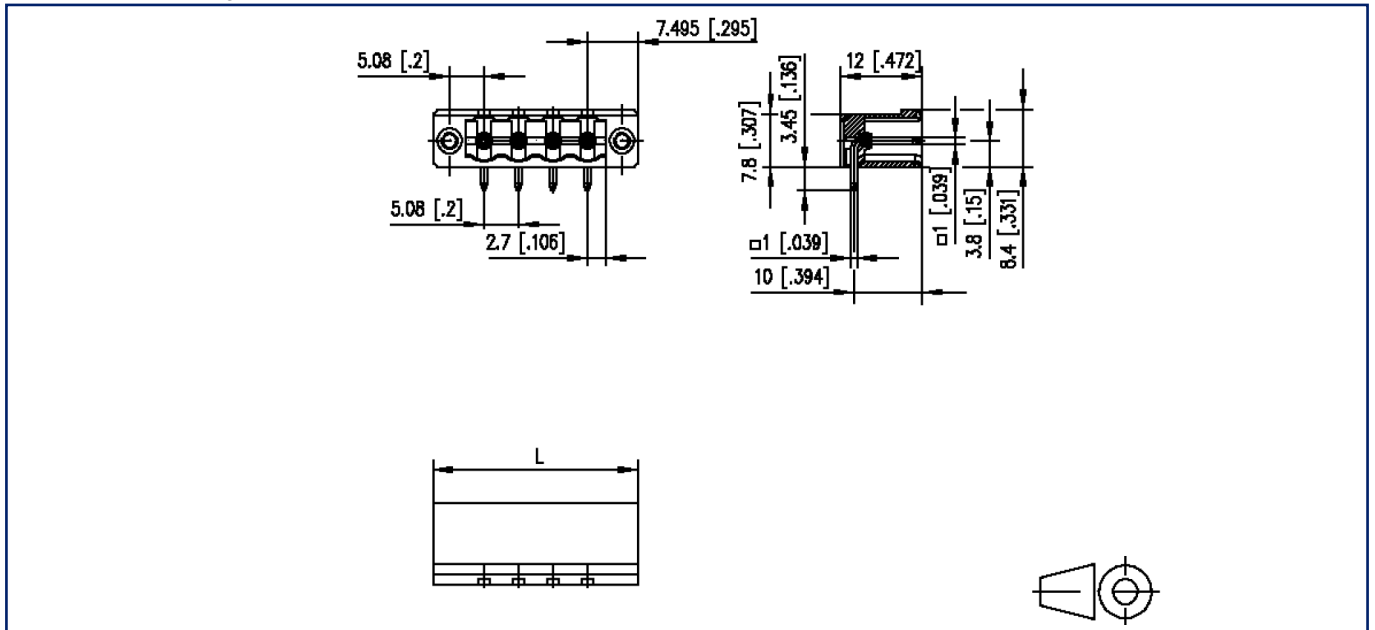
Data sheet
PT116xxHBBF Typ 236

Page 5/6

P/N
312361xx
 xx=number of poles
 2022/04/05
 Version: X

Illustrations

Dimensional drawing



$L = (\text{pole size} - 1) \times \text{centerline} + 14.99 \text{ mm} [0.59]$

Illustrations

Drill pattern

