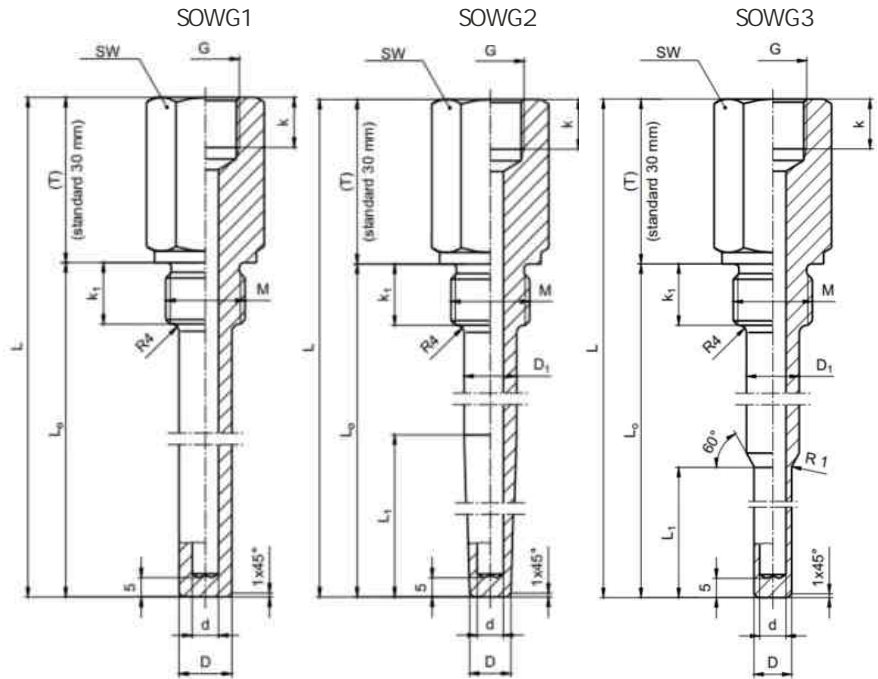


SOWG - THREADED DRILLED THERMOWELLS

Drilled thermowells are used as security elements to protect temperature sensors in harsh applications where high pressure occurs. The whole element is made of one piece of the material with deep drilling over the entire length. They are used in heavy industry, food, chemical, and power industry. The thermowell is screwed in a place of measurement via the threaded connector.



TECHNICAL DATA

Max. temperature	depends on material and dimension
Bore diameter	from 3.5 mm to 14 mm
Thread	M20x1,5; M27x2; G1/2; G3/4; 1/2 NPT; 3/4 NPT
Material	1.4404, 1.4541, 1.4571, 1.7335

Bore diameter d	Min. thermowell diameter D	Max. thermowell length L
Ø3,5	Ø10	400
Ø7	Ø12	700
Ø9	Ø15	600
Ø12	Ø18	700
Ø12	-	1400
Ø14	Ø20	600

ORDERING

SOWGX-X-X-X-X-X-X-X-X-X-X

- thermowell type:
 - 1: straight
 - 2: tapered
 - 3: stepped
- thread type M:
 - M20x1,5
 - other, acc. to the table
- thread length k₁:
 - acc. to the table
- thermowell diameter D:
 - 15 mm
 - other, please specify
- thermowell diameter D, *:
 - 24 mm
 - other, please specify
- bore diameter d:
 - 7 mm
 - other, please specify
- material:
 - A: 1.4541
 - B: 1.4571
 - C: 1.4404
 - D: 1.7335
 - other, please specify
- length L₁ *:
 - 100 mm
 - other, please specify
- length L₀:
 - 100 mm
 - other, please specify
- total length L:
 - 300 mm
 - other, please specify
- thread length k:
 - acc. to the table
- thread type G:
 - M20x1,5
 - other, acc. to the table

Thread type M	Thread length k ₁	Hexagon dimensions SW	Thread type G	Thread length k
M20x1,5	14	27	M20x1,5 G1/2 1/2 NPT	15
G1/2	14	27		
1/2 NPT	20	27		
M27x2	16	32		
G3/4	16	32		
3/4 NPT	20	27		
G1	18	41		

* does not apply to the straight thermowell

