



Ball Type Flow Indicator

horizontal installation

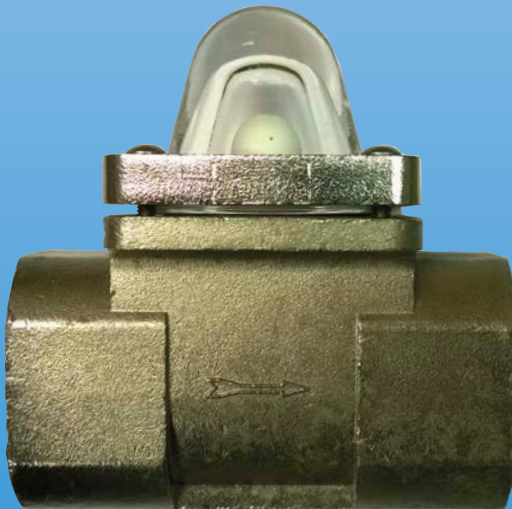


measuring
•
monitoring
•
analysing

DKB



DKB-x1



DKB-22

- Indication range:
0.05 - 15 ... 0.14 - 105 l/min water
- p_{max} : 16 bar; t_{max} : 200 °C
- Connection:
G 1/8 ... G 1 1/2, 1/8" ... 1" NPT
- Material: brass, stainless steel

96



KOBOLD companies worldwide:

AUSTRALIA, AUSTRIA, BELGIUM, BULGARIA, CANADA, CHINA, CZECHIA, EGYPT, FRANCE, GERMANY, GREAT BRITAIN, HUNGARY, INDIA, INDONESIA, ITALY, MALAYSIA, MEXICO, NETHERLANDS, PERU, POLAND, REPUBLIC OF KOREA, ROMANIA, RUSSIA, SPAIN, SWITZERLAND, THAILAND, TUNISIA, TURKEY, USA, VIETNAM

KOBOLD Messring GmbH
Nordring 22-24
D-65719 Hofheim/Ts.
Head Office:
+49(0)6192 299-0
+49(0)6192 23398
info.de@kobold.com
www.kobold.com

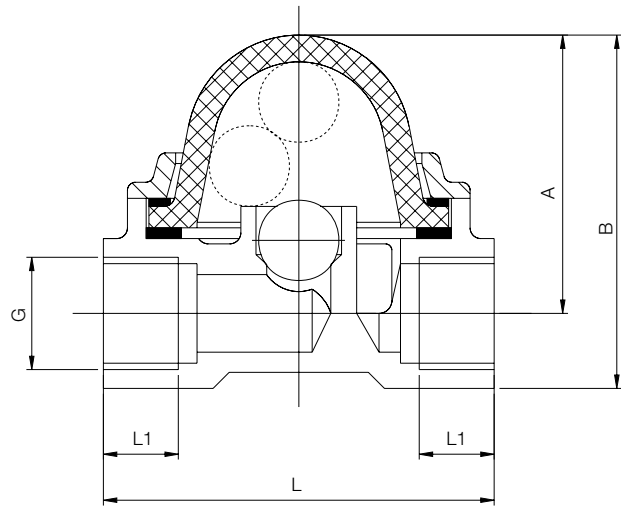


Ball Type Flow Indicator Model DKB

Materials

	DKB-11...	DKB-21...
Housing	brass (MS-58)	brass (MS-58)
Glass dome	borosilicate glass	borosilicate glass
Ball	POM	PTFE
Sealing	EPDM	FPM
Rings	brass (MS-58)	brass (MS-58)
Screws	st. steel, rust-proof	st. steel, rust-proof

Dimensions



Connection

G $\frac{1}{8}$	G $\frac{1}{4}$	G $\frac{3}{8}$	G $\frac{1}{2}$	G $\frac{3}{4}$	G 1
R06	R08	R10	R15	R20	R25
$\frac{1}{8}$ " NPT	$\frac{1}{4}$ " NPT	$\frac{3}{8}$ " NPT	$\frac{1}{2}$ " NPT	$\frac{3}{4}$ " NPT	1" NPT
N06	N08	N10	N15	N20	N25

Model	p _{max}	t _{max}	G	NPT	L1 [mm]	L [mm]	A [mm]	B [mm]	Weight [kg]
DKB-..01H	6 bar	120 °C	G $\frac{1}{8}$	$\frac{1}{8}$ "	8	56	41	50	0.3
DKB-..02H	6 bar	120 °C	G $\frac{1}{4}$	$\frac{1}{4}$ "	10	56	41	50	0.28
DKB-..03H	6 bar	120 °C	G $\frac{3}{8}$	$\frac{3}{8}$ "	14	73	53	67	0.57
DKB-..04H	6 bar	120 °C	G $\frac{1}{2}$	$\frac{1}{2}$ "	14	73	53	67	0.54
DKB-..05H	6 bar	120 °C	G $\frac{3}{4}$	$\frac{3}{4}$ "	16	109	72	94	1.41
DKB-..06H	6 bar	120 °C	G 1	1"	18	109	72	94	1.30

Order Details (Example: DKB-1101H R06)

Indication range		Model		Connection	
Water [l/min]	ΔP^* [bar]	DKB-11..	DKB-21..	G-thread	NPT-thread
0.05 - 15	1	DKB-1101H..	DKB-2101H..	R06	N06
0.05 - 20	1	DKB-1102H..	DKB-2102H..	R08	N08
0.06 - 45	1	DKB-1103H..	DKB-2103H..	R10	N10
0.07 - 50	1	DKB-1104H..	DKB-2104H..	R15	N15
0.18 - 105	0.5	DKB-1105H..	DKB-2105H..	R20	N20
0.14 - 105	0.5	DKB-1106H..	DKB-2106H..	R25	N25

* At max. flow

Materials

	DKB-22...
Housing	stainless steel 1.4436, 1.4410
Glass dome	borosilicate glass
Rotating vane	PTFE
Rings	Klinger SIL® C4400,FPM
Screws	stainless steel, rust-proof

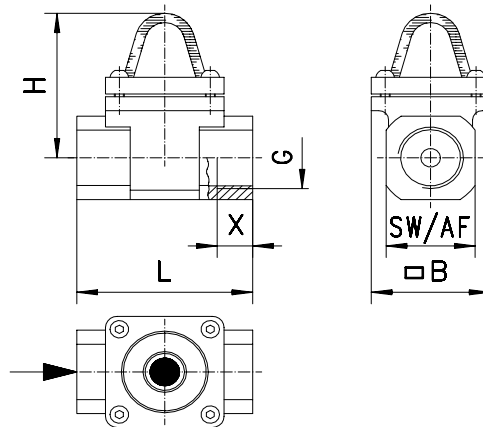
Applications

- Maintaining demineralised water rinsing essential to electronics components manufacture
- Showing the presence of condensate in steam return lines
- Indicating chemical dosing on water treatment plant
- Ensuring that flow of cooling water is maintained to specialised medical equipment
- Detecting changes in colour and condition of liquids during processing

Connection

G¼	G¾	G½	G¾	G1	G1½
R08	R10	R15	R20	R25	R40

Dimensions



Model	p _{max}	t _{max}	G	AF	X [mm]	L [mm]	H [mm]	B [mm]	Weight [kg]
DKB-2202H	16 bar	200 °C	G¼	28	12	76	67	60	0.8
DKB-2203H	16 bar	200 °C	G¾	28	16	76	67	60	0.7
DKB-2204H	16 bar	200 °C	G½	28	14	76	67	60	0.7
DKB-2205H	16 bar	200 °C	G¾	45	18	89	78	60	1.4
DKB-2206H	16 bar	200 °C	G1	45	18	89	78	60	1.3
DKB-2207H	16 bar	200 °C	G1½	62	30	118	95	77	2.5

Order Details (Example: DKB-2202H R08)

Indication range		Model	Connection
Water [l/min]	Δ P* [bar]	DKB-22..	G-thread
0.3 - 4	0.1	DKB-2202H..	R08
0.3 - 8	0.1	DKB-2203H..	R10
0.3 - 12	0.1	DKB-2204H..	R15
2.5 - 25	0.2	DKB-2205H..	R20
4 - 40	0.2	DKB-2206H..	R25
11 - 60	0.3	DKB-2207H..	R40

* At 2 m/s