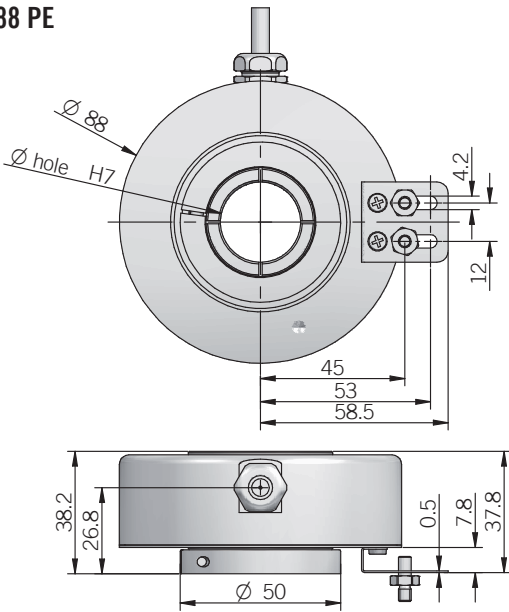


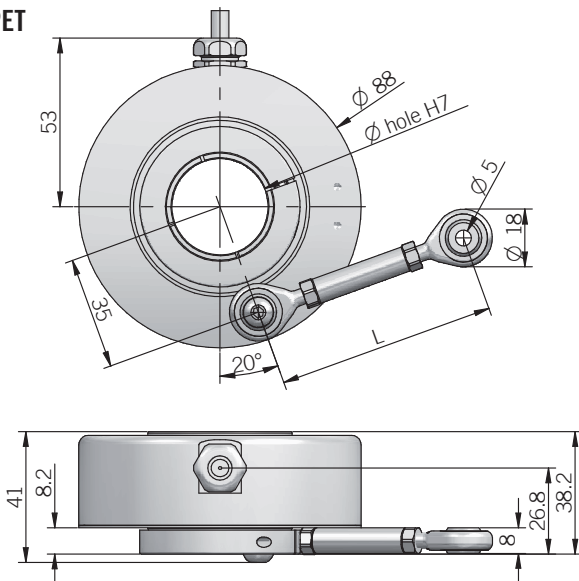


88 PE



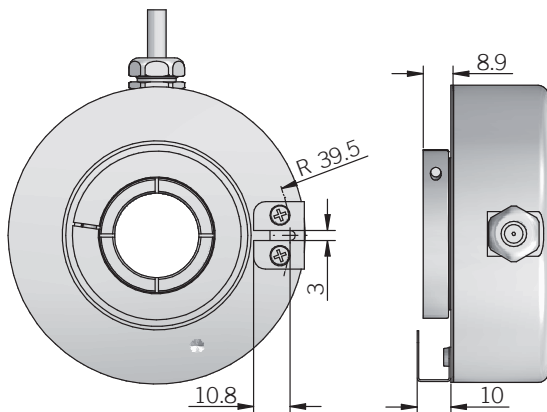
for torque pin please refer to Accessories

88 PET



torque arm not included, please refer to Accessories

OPTIONAL TORQUE STOP SLOT



for torque stop slot and torque pin please refer to Accessories

dimensions in mm

ELECTRICAL SPECIFICATIONS

<b>Resolution</b>	from 500 to 2500 ppr
<b>Power supply<sup>1</sup></b>	5 = 4,5 ... 5,5 V DC 5/28 = 4,5 ... 30 V DC (reverse polarity protection)
<b>Power draw without load</b>	800 mW
<b>Max load current</b>	20 mA / channel
<b>Electrical interface<sup>2</sup></b>	push-pull / line driver HTL (AEIC-7272) line driver RS-422 (AELT-5000 or equivalent)
<b>Max output frequency</b>	105 kHz
<b>Counting direction</b>	A leads B clockwise (shaft view)
<b>Electromagnetic compatibility</b>	according to 2014/30/EU directive
<b>RoHS</b>	according to 2015/863/EU directive
<b>UL / CSA</b>	certificate n. E212495

MECHANICAL SPECIFICATIONS

<b>Bore diameter</b>	∅ 25 / 30 / 35 / 38 / 40 mm
<b>Enclosure rating</b>	IP 54 (IEC 60529)
<b>Max rotation speed</b>	3000 rpm
<b>Shock</b>	50 G, 11 ms (IEC 60068-2-27)
<b>Vibration</b>	10 G, 10 ... 2000 Hz (IEC 60068-2-6)
<b>Moment of inertia</b>	45 x 10 <sup>-6</sup> kgm <sup>2</sup> (10,68 x 10 <sup>-4</sup> lbf <sup>2</sup> )
<b>Starting torque (at +20°C / +68°F)</b>	< 0,02 Nm (2,83 Ozin)
<b>Bearing stage material</b>	EN-AW 2011 aluminum
<b>Shaft material</b>	up to ∅ 38 mm: EN-AW 2011 aluminum ∅ 40 mm: 1.4305/AISI 303 stainless steel
<b>Housing material</b>	EN-AW 2011 aluminum
<b>Bearings</b>	n.2 ball bearings
<b>Bearings life</b>	10 <sup>9</sup> revolutions
<b>Operating temperature<sup>3,4</sup></b>	-30° ... +85°C (-22° ... +185°F)
<b>Storage temperature<sup>4</sup></b>	-30° ... +85°C (-22° ... +185°F)
<b>Weight</b>	350 g (12,35 oz)

<sup>1</sup> as measured at the transducer without cable influences

<sup>2</sup> for further details refer to OUTPUT LEVELS on TECHNICAL BASICS section

<sup>3</sup> measured on the transducer flange

<sup>4</sup> condensation not allowed

RESOLUTIONS

500 - 512 - 720 - 1000 - 1024 - 1440 - 2500

please directly contact our offices for other pulses, preferred resolutions in bold

CONNECTIONS

Function	Cable P	Cable L / RS
+V DC	red	red
0 V	black	black
A+	green	green
A-	/	brown or grey
B+	yellow	yellow
B-	/	orange
Z+	blue	blue
Z-	/	white
⊥	shield	shield