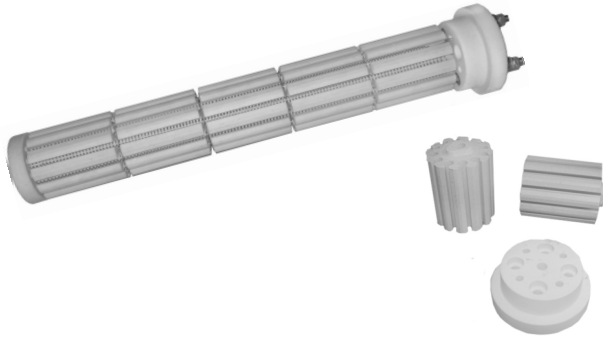


Ceramic heaters



- power supply: 230V; 380V; 3x380V, 400V
- length: 100 ÷ 4000 mm
- power: 100...10000 W
- modular design
- designed for work in a steel sheath
- used of the occurrence of temperature radiation
- KANTHAL resistance wire material
- high efficiency, long service life

Ceramic heaters suitable for overhead operation as heating cartridges with a diameter of $\varnothing 32, 40, 50$ mm. Through the phenomenon of temperature radiation, they heat the surrounding media. Their modular design, which consists of ceramic fittings, provides even heating of the entire surface and due to the material used - chamotte - high temperature resistance of 800°C . We use KANTHAL resistance wire for the construction of the radiator, which ensures a very long service life and high heat output of the entire radiator. The whole is stabilized by a stainless steel pin passing through the axis of the heater.

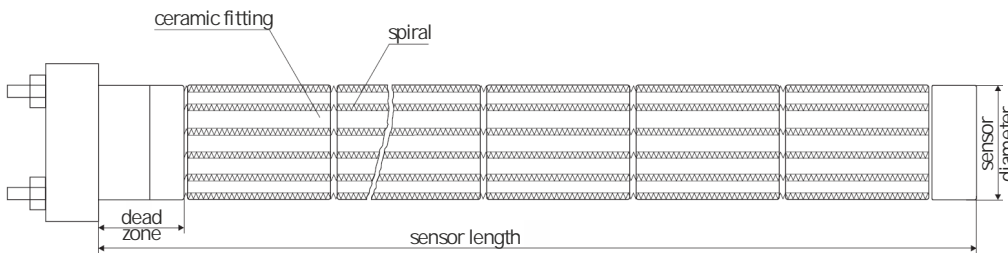
Application:

- tiled stoves, accumulative,
- bakeries,
- galvanizing plant,
- rubber and plastic processing

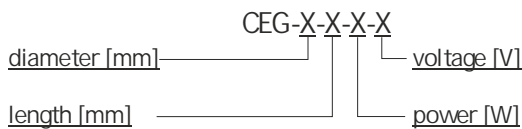
TECHNICAL DATA

Parameters	CEG
Power	100 ÷ 10000 W
Dead zone	100 mm
Heater diameter	$\varnothing 16$ mm, $\varnothing 32$ mm, $\varnothing 36$ mm, $\varnothing 45$ mm, $\varnothing 50$ mm, other
Supply voltage	230V, 380V, 3x380V, 400V
Range of length	100 ÷ 4000 mm
Surface loading	7 W/cm ²
Operating temperature	up to 800°C

DESIGN



ORDERING



Ordering sample:

CEG-50-450-800-400

Ceramic heater CEG type, diameter 50 mm, length 450 mm, power 800W, supply voltage 400V

