

## Infrared radiators IOT



- ceramic infrared screw radiator
- E27 bulb thread
- ceramic hollow casting
- power max. 250W
- operating voltage 230V
- UR/UL certificate for many variants

Screw-in elements of the IOT series are ceramic infrared elements with an E27 screw base. The emitters of the IOT series are so-called "dark emitters" that do not emit any visible light and, due to this property, the robustness, especially in the heaters' socket area as well as the simple temperature control options (e.g. with standard dimmers), have been used successfully for millions of times, for decades. They are used e.g. in animal breeding or terrariums and are perceived by animals (self-warm and cold-blooded), especially during the night, as a non-disturbing source of warmth.

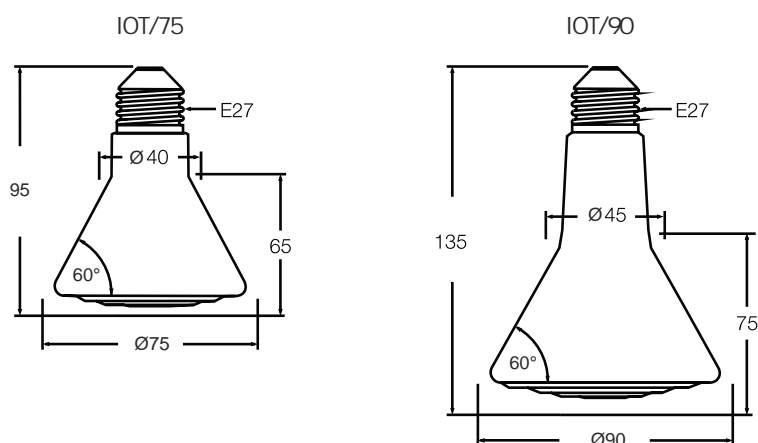
The standardized E27 thread enables simple and safe installation, as the elements can be screwed into porcelain sockets or metal sockets with a porcelain insert like lightbulbs.

IOT infrared elements are suitable because of their simple connection options for both individual operation and for setting up groups of heaters. The possible uses are diverse and, in addition to animal breeding and terraristics, particularly extend to the areas of medical and gastronomy technology. The standard IOT emitters are available in two power levels of 60W and 100W (IOT/75) or 150W and 250W (IOT/90).

### TECHNICAL DATA

Type	IOT/75		IOT/90	
Power [W]	60	100	150	250
Dimensions [mm]	Ø75 mm		Ø90 mm	
Operating temperature [°C]	up to 310	up to 410	up to 410	up to 530
Max. operating temperature [°C]	530			
Max. surface loading [kW/cm <sup>2</sup> ]	8,6	14,4	15,0	25,0
Wavelength range [µm]	3..10			

### DIMENSIONS



### ORDERING

IOT/X-X

power [W]

dimensions

75: Ø75 mm

90: Ø90 mm

Ordering sample:

IOT/75-100W

Ceramic infrared bulb radiator, diameter 75 mm, power 100 W

