

MAIN FEATURES

Encoder suitable for heavy duty applications.

- Insulated bearings
- Bidirectional signal with zero
- Up to 3072 ppr
- 3000 rpm max
- Working temperature: -40° ... +85°C

Suitable for:

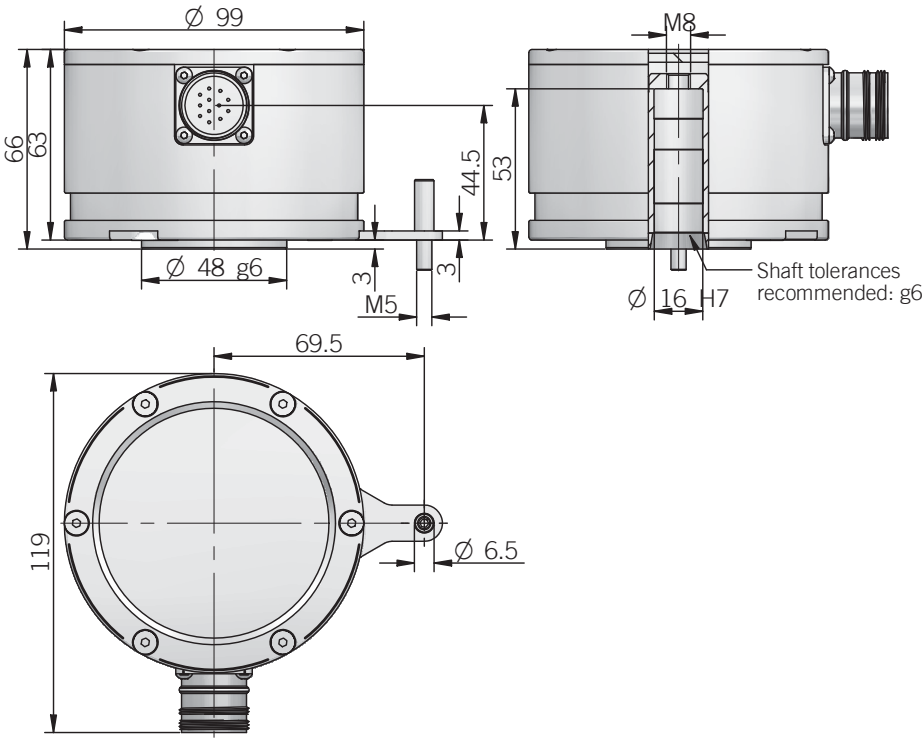
- windmill generators
- paper mills
- rubber machines
- cranes



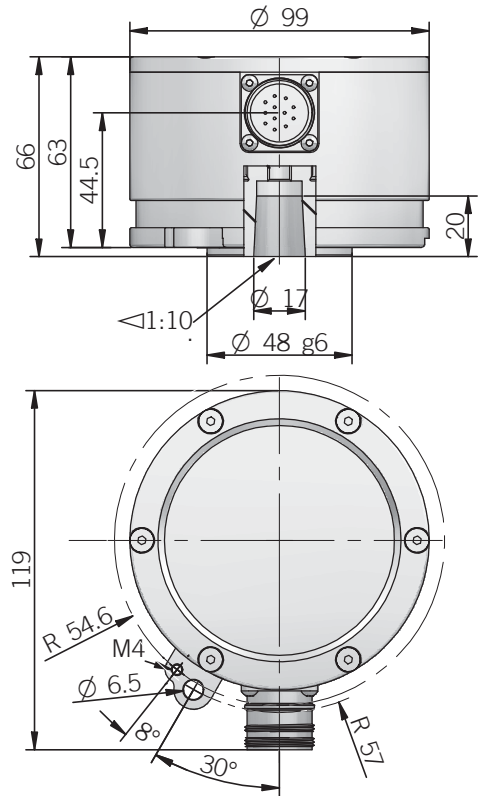
ORDERING CODE

EH	99	P	F	1024	Z	5	L	16	X	3	PR	.	XXX
SERIES incremental encoder series EH	SIZE mm 99	TYPE P	TYPE spring fixing F torque arm fixing T	RESOLUTION ppr 512 / 720 / 1000 / 1024 / 2048 / 3072	ZERO PULSE without zero pulse S with zero pulse Z	POWER SUPPLY 5 V DC 5 8 ... 30 V DC 8/30						VARIANT XXX custom version	OUTPUT TYPE PR radial cable (standard length 0.5 m) HR 12 poles H radial connector (M23) PGR radial cable gland (no cable)
										MAX ROTATION SPEED 3 3000 rpm			
										ENCLOSURE RATING X IP 66 S IP 67 (optional)			
								HOLLOW SHAFT 12 mm (straight hollow shaft) 16 mm (straight hollow shaft) T17 mm (tapered hollow shaft)					
								ELECTRONIC INTERFACE P push pull L line driver					

EH 99 PF



EH 99 PT



Mechanical specifications

Hollow shaft	12 / 16 / T17 (tapered hollow shaft) x 53mm
Enclosure rating	IP 66 (IEC 60529) IP 67 (optional) (IEC 60529)
Max rotation speed	3000 rpm
Body material	EN-AW 6026 anodized anticorodal aluminum
Shaft material	1.4305 / AISI 303 stainless steel
Housing material	EN-AW 6026 anodized anticorodal aluminum
Bearings	2 insulated ball bearings
Bearings life	10 ⁹ revolutions
Operating temperature	-40° ... +85°C
Storage temperature	-40° ... +85°C
Weight	about 1200 g

Electrical specifications

Resolution	512 / 720 / 1000 / 1024 / 2048 / 3072 ppr
Power supply	5 V DC ± 10% 8 ... 30 V DC -5% / +0%
Current consumption without load	100 mA max
Max load current	20 mA for channel
Electronic interface	push pull / line driver
Max output frequency	105 kHz
Counting direction	A leads B clockwise (shaft view)
Electromagnetic compatibility	IEC 61000-6-2 IEC 61000-6-4

Electrical connections

Function	Cable output	Connector H12 poles (top view male connector CCW)
+V DC	red	12
0 V	gray	10
Ch. A	green	5
Ch. A-	brown	6
Ch. B	yellow	8
Ch. B-	pink	1
Ch. Z	blue	3
Ch. Z-	white	4
≡	shield	9