



Variable Area Flowmeter Plastic

glass cone with loose flange



measuring
•
monitoring
•
analysing

URL



- Measuring range:
Water: 1...10 – 250...2500 l/h
Air: 0.025... 0.25 – 10...100 Nm³/h
- Accuracy class: 4 according to VDI
- p_{\max} : 10 bar; t_{\max} :
100 °C (65 °C for PVC)
- Connection: loose flange EN 1092-1
type 02, DN15... DN40, PN16
- Material: PVC, PTFE

S2



KOBOLD companies worldwide:

ARGENTINA, AUSTRALIA, AUSTRIA, BELGIUM, BULGARIA, CANADA, CHILE, CHINA, COLOMBIA, CZECHIA, EGYPT, FRANCE, GERMANY, GREAT BRITAIN, HUNGARY, INDIA, INDONESIA, ITALY, MALAYSIA, MEXICO, NETHERLANDS, PERU, POLAND, REPUBLIC OF KOREA, ROMANIA, SINGAPORE, SPAIN, SWITZERLAND, TAIWAN, THAILAND, TUNISIA, TURKEY, USA, VIETNAM

KOBOLD Messring GmbH
Nordring 22-24
D-65719 Hofheim/Ts.
Head Office:
+49(0)6192 299-0
+49(0)6192 23398
info.de@kobold.com
www.kobold.com



Description

The Kobold URL model flowmeter/monitor works on the basis of the suspended float principle. It is used for measuring the flow rates in closed pipe line systems.

The medium flows from below through a glass measuring cone that gets wider on top. Thus, the float is raised and indicates the respective flow rate on the scale provided on the measuring cone. To monitor flow rate limits, the URL meters can be optionally furnished with "open collector" proximity switches.

This plastic version is not only economical but also resistant against several chemicals. By its special design, this model is particularly suitable for applications where only very small operating pressures are available. Another advantage is offered by the very large sight glass which optically allows direct flow observation.

Applications

- Domestic engineering
- Cooling circuits
- Plant engineering
- Water treatment
- Heating
- Machine tools
- Solar systems
- Welding machines
- Paper machines
- Glass melting pots
- Extrusion machines
- Induction furnaces

Technical Details

Installation position: vertical
 Accuracy class: 4 according to VDI
 Max. temperature: 100 °C (65 °C for PVC)
 Max. pressure: 10 bar
 Calibration conditions: water: 20 °C, air: 20 °C, air pressure: 1.013 bar abs.

Materials

Material combination URL

Ordering code	Connection	Float	Seal	Centering ring	Loose flange**	Housing**	Cover plate**	Sight glass**	Measuring tube
VD	PVC	PTFE	NBR	PVC	PVC	1.4301	1.4301	plexiglas	borosilicate glass
DD	PTFE	PTFE	PTFE	PTFE	PVC				
99*	PVC PTFE	PTFE PVC PP	NBR EPDM FPM PTFE	PVC PTFE	PVC 1.4301				

* Customer specification on request

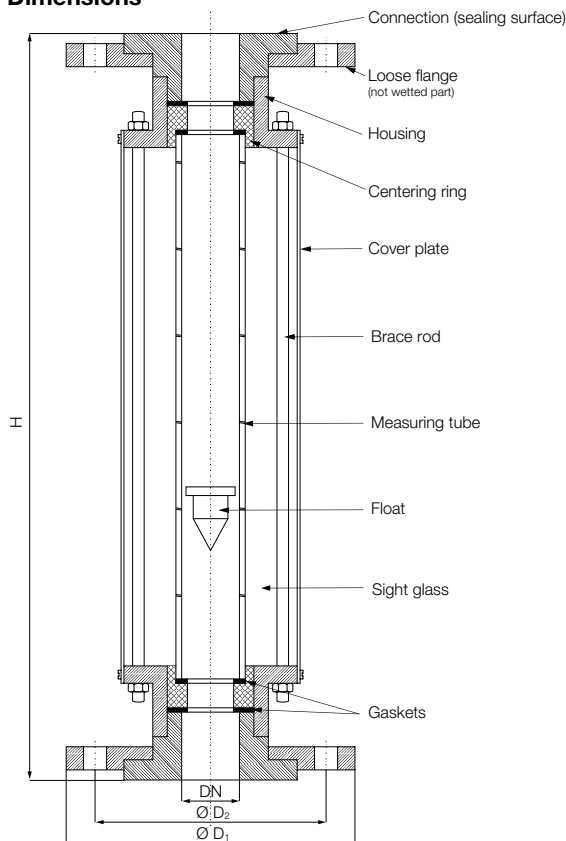
** Not wetted part

Order Details (Example: URL-VD 01L F4 0)

Model	Material combination	Measuring range		Pressure loss [mbar]	Loose flange EN1092-1 type 02, PN16	Contacts
		water [l/h]	air [Nm³/h]			
URL-	VD DD 99*		05L = 0.025...0.25	10	F4 = DN 15	0 = no contact
		07H = 1.0...10	07L = 0.040...0.40	12		
		09H = 1.6...16	09L = 0.063...0.63	9		
		11H = 2.5...25	11L = 0.10...1.0	17		
		13H = 4.0...40	13L = 0.16...1.6	24		
		15H = 6.3...63	15L = 0.25...2.5	28	F6 = DN 25	
		17H = 10...100	17L = 0.4...4.0	36		
		19H = 16...160	19L = 0.63...6.3	34		
		21H = 25...250	21L = 1.0...10	43		
		23H = 32...320	23L = 1.3...13	48	F7 = DN 32	
		25H = 40...400	25L = 1.6...16	51		
		27H = 50...500	27L = 2.0...20	57		
		29H = 63...630	29L = 2.5...25	93	F8 = DN 40	
		31H = 100...1000	31L = 4.0...40	102		
		33H = 160...1600	33L = 6.3...63	95		
35H = 250...2500	35L = 10...100	102				
	YYY = others		on request			

* Customer specification on request

Dimensions



Model	H [mm]	DN	PN 16	
			D ₁ [mm]	D ₂ [mm]
URL-..F4	400	15	95	65
URL-..F6	420	25	115	85
URL-..F7	440	32	140	100
URL-..F8	460	40	150	110