

Compression Load Cell

FEATURES

- Capacities: 50k to 200k lbs
- Certified to NTEP class III L, 10000 divisions
- Environmental protection: IP68 (DIN 40.050)
- Material: Stainless Steel
- Hermetically sealed—IP68
- **Optional**
 - FM approved for use in potentially explosive atmospheres

APPLICATIONS

- Silo, tanks and hoppers
- Suspended silos, tank and hoppers
- Railroad scales
- Weighbridges

DESCRIPTION

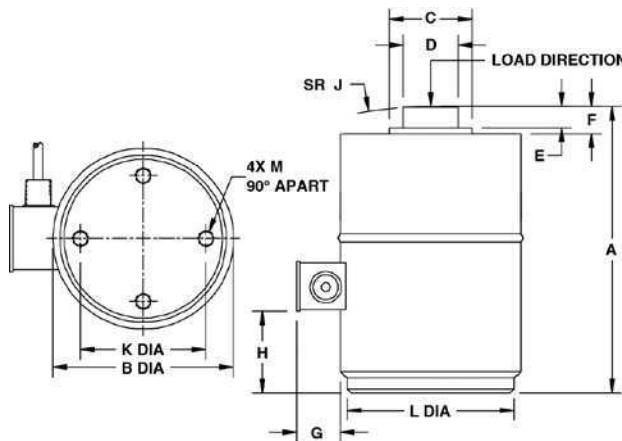
The 792 canister is designed for compression applications. Its stainless steel construction combined with hermetic sealing allows the 792 to be used in harsh environments.



Built for heavy capacity weighing applications where accuracy and reliability are required over long periods of time.

Hermetic sealing offers excellent protection from moisture and provides long-term stability and reliability.

OUTLINE DIMENSIONS in inches



Cable specifications

Cable length: 10.7m (35ft)
 Excitation + Green
 Excitation - Black
 Output + White
 Output - Red
 Shield Transparent

Cable screen is not connected to the load cell body.

Capacity	50k	100k	200k
A	7.50	9.13	11.63
B	4.50	5.75	7.50
C	1.77	2.65	3.15
D	1.25	1.75	2.50
E	0.58	0.88	0.80
F	0.75	1.05	0.97
G	1.25	1.40	1.34
H	1.12	1.33	2.53
J	6.00	12.00	12.00
ØK	2.38	4.00	5.50
L	4.18	5.31	6.81
ØM	3/8-24 UNF-2B	1/2-20 UNF-2B	5/8-18 UNF-2B

Compression Load Cell

SPECIFICATIONS			
PARAMETER	VALUE		UNIT
Standard capacities (E _{max})	50k, 100k, 200k		lbs
Metric equivalents	22.7, 45.4, 91		T
Accuracy class according to NTEP	NTEP IIIIL	Non-Approved	
Maximum no. of verification intervals (n)	10000		
Rated output (=S)	2		mV/V
Rated output tolerance	0.002		±mV/V
Zero balance	10.0		±% FSO
Combined error	0.0200	0.1000	±% FSO
Non-repeatability	0.0100	0.0200	±% FSO
Creep error (20 minutes)	0.0300	0.0500	±% applied load
Temperature effect on minimum dead load output	0.0009 (0.0010)	0.0140	±% FSO/5°C (1°F)
Temperature effect on sensitivity	0.0072 (0.008)	0.0070	±% applied load/5°C (1°F)
Maximum safe overload	150		% E _{max}
Ultimate overload	300		% E _{max}
Maximum safe side load	10		% E _{max}
Minimum dead load	1000		lbs
Excitation voltage	10		V
Maximum excitation voltage	15		V
Input resistance	350±3.5		Ω
Output resistance	350±3.5		Ω
Insulation resistance	≥5000		MΩ
Compensated temperature range	-10 to +40 (+14 to +104)		°C (°F)
Operating temperature range	-40 to +80 (-65 to +200)		°C (°F)
Element material (DIN)	Stainless steel		
Sealing (DIN 40.050 / EN60.529)	IP68		

FSO—Full Scale Output

Correct mounting of the load cells is essential to ensure optimum accuracy and performance. Further information is available upon request.

All specifications subject to change without notice.



Disclaimer

ALL PRODUCTS, PRODUCT SPECIFICATIONS AND DATA ARE SUBJECT TO CHANGE WITHOUT NOTICE.

Vishay Precision Group, Inc., its affiliates, agents, and employees, and all persons acting on its or their behalf (collectively, "VPG"), disclaim any and all liability for any errors, inaccuracies or incompleteness contained herein or in any other disclosure relating to any product.

The product specifications do not expand or otherwise modify VPG's terms and conditions of purchase, including but not limited to, the warranty expressed therein.

VPG makes no warranty, representation or guarantee other than as set forth in the terms and conditions of purchase. **To the maximum extent permitted by applicable law, VPG disclaims (i) any and all liability arising out of the application or use of any product, (ii) any and all liability, including without limitation special, consequential or incidental damages, and (iii) any and all implied warranties, including warranties of fitness for particular purpose, non-infringement and merchantability.**

Information provided in datasheets and/or specifications may vary from actual results in different applications and performance may vary over time. Statements regarding the suitability of products for certain types of applications are based on VPG's knowledge of typical requirements that are often placed on VPG products. It is the customer's responsibility to validate that a particular product with the properties described in the product specification is suitable for use in a particular application. You should ensure you have the current version of the relevant information by contacting VPG prior to performing installation or use of the product, such as on our website at vpgsensors.com.

No license, express, implied, or otherwise, to any intellectual property rights is granted by this document, or by any conduct of VPG.

The products shown herein are not designed for use in life-saving or life-sustaining applications unless otherwise expressly indicated. Customers using or selling VPG products not expressly indicated for use in such applications do so entirely at their own risk and agree to fully indemnify VPG for any damages arising or resulting from such use or sale. Please contact authorized VPG personnel to obtain written terms and conditions regarding products designed for such applications.

Product names and markings noted herein may be trademarks of their respective owners.

Copyright Vishay Precision Group, Inc., 2014. All rights reserved.