

LMK 858

Detachable Plastic Submersible Probe

Ceramic Sensor

accuracy according to EN IEC 62828-2:
standard: 0.35 % span
option: 0.25 % span



Nominal pressure

from 0 ... 40 cmH₂O up to 0 ... 100 mH₂O

Output signals

2-wire: 4 ... 20 mA
3-wire: 0 ... 10 V
others on request

Special characteristics

- ▶ diameter 45 mm
- ▶ cable and probe detachable
- ▶ chemical resistance
- ▶ housing PP-HT

Optional versions

- ▶ cable protection via PVC pipe
- ▶ diaphragm 99.9 % Al₂O₃
- ▶ different kinds of cable
- ▶ different kinds of seal materials
- ▶ cable protection on request

The detachable plastic submersible probe LMK 858 is designed for level measurement in most aggressive media. Usage in more viscous media as for example sludge is possible because of the semi-flush diaphragm.

In order to facilitate stock-keeping and maintenance the transmitter head is plugged to the cable assembly with a connector and can be changed easily.

Preferred areas of use are

Sewage



waste water treatment
water recycling
dumpsite

Aggressive media



level measurement in most of acids and lyes

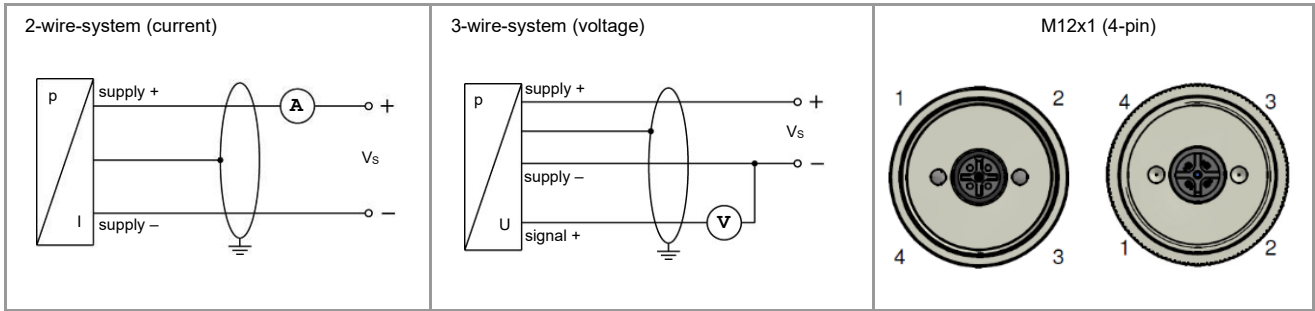


Input pressure range															
Nominal pressure gauge [bar]	0.04	0.06	0.1	0.16	0.25	0.4	0.6	1	1.6	2.5	4	6	10		
Level [mH ₂ O]	0.4	0.6	1	1.6	2.5	4	6	10	16	25	40	60	100		
Overpressure [bar]	2	2	4	4	6	6	8	8	15	25	25	35	35		
max. ambient pressure (housing)	10 bar														
Output signal / Supply															
Standard	2-wire:	4 ... 20 mA / V _S = 9 ... 32 V _{DC}						option 3-wire:	0 ... 10 V / V _S = 12.5 ... 32 V _{DC}						
Performance															
Accuracy ¹	standard:												± 0.35 % span		
	option:												± 0.25 % span		
Permissible load	R _{max} = [(V _S - V _{S min}) / 0.02 A] Ω														
Influence effects	supply:	0.05 % span / 10 V													
	load:	0.05 % span / kΩ													
Long term stability	≤ ± 0.1 % span / year														
Turn-on time	700 msec														
Mean response time	< 200 msec							measuring rate 5/sec							
Max. response time	380 msec														
¹ accuracy according to EN IEC 62828-2 – limit point adjustment (non-linearity, hysteresis, repeatability)															
Thermal effects (Offset and Span)															
Thermal error	≤ ± 0.1 % span / 10 K in compensated range 0 ... 50 °C														
Permissible temperatures															
Permissible temperatures	Medium/ electronics/ environment/ storage: -20 ... 80 °C *														
<i>*If the cable is intended for use in a smaller temperature range, the use of the probe is limited by this range.</i>															
Electrical protection ²															
Short-circuit protection	permanent														
Reverse polarity protection	no damage, but also no function														
Lightning protection	2-wire: integrated						3-wire: without								
Electromagnetic compatibility	emission and immunity according to EN 61326														
² additional external overvoltage protection unit in terminal box KL 1 or KL 2 with atmospheric pressure reference available on request															
Electrical connection															
Cable with sheath material ³	PVC	(-5 ... 70 °C)		grey	(-25 ... 70 °C in fixed condition)				Ø 7,4 mm						
	PUR	(-25 ... 80 °C)		black	(with drinking water certificate)				Ø 7,4 mm						
	FEP ⁴	(-25 ... 75 °C)		black					Ø 7,4 mm						
Cable capacitance	signal line/shield also signal line/signal line: 160 pF/m														
Cable inductance	signal line/shield also signal line/signal line: 1 µH/m														
Bending radius	static installation: 10-fold cable diameter dynamic application: 20-fold cable diameter														
³ cable with integrated air tube for atmospheric pressure reference															
⁴ do not use freely suspended probes with an FEP cable if effects due to highly charging processes are expected															
Materials (media wetted)															
Housing	PP-HT														
Seals	FKM / EPDM / others on request														
Diaphragm	standard:	ceramics Al ₂ O ₃ 96 %													
	option:	ceramics Al ₂ O ₃ 99.9 %													
Cable sheath	PVC, PUR, FEP, others on request														
Miscellaneous															
Option cable protection (on request)	prepared for mounting with PP-HT pipe Ø 25 mm; available as compact product (standard: pipe with a total length up to 2 m possible)														
Current consumption	max. 25 mA														
Weight	approx. 400 g (without cable)														
Ingress protection	IP 68														
CE-conformity	EMC Directive: 2014/30/EU														
Wiring diagram															

LMK 858

Plastic Probe

Technical Data

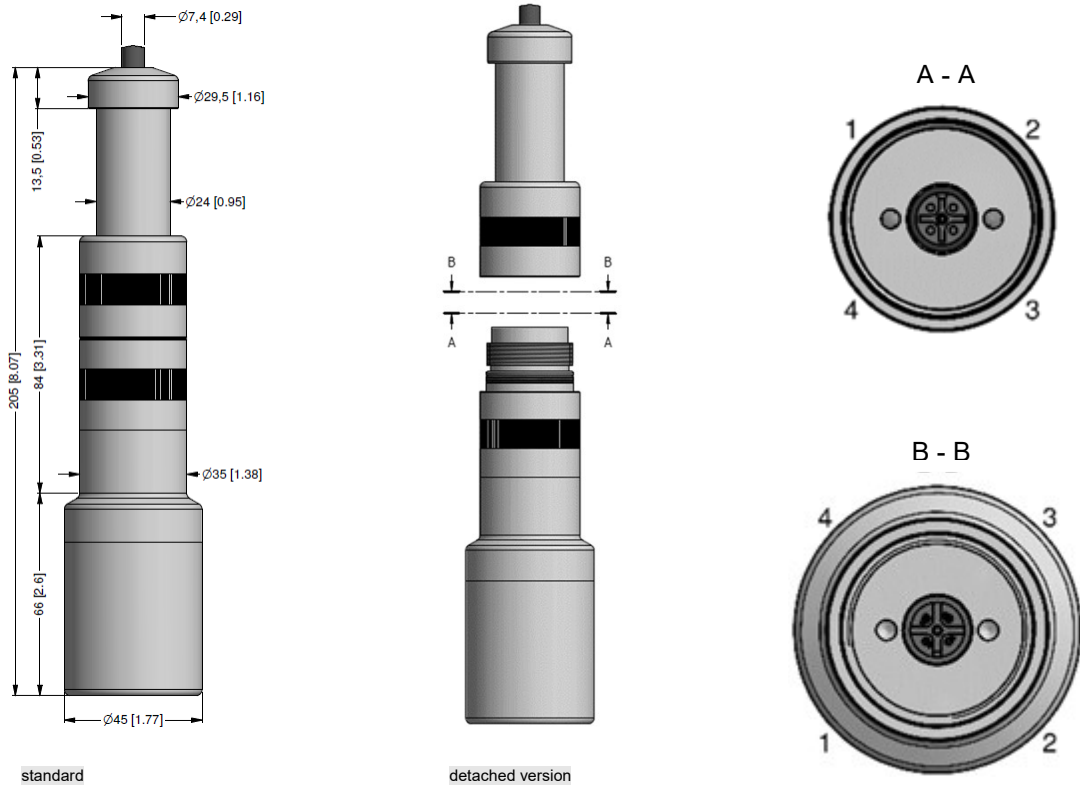


Pin configuration

Electrical connection	M12x1 (4-pin) ⁵	cable colours (DIN 47100)
Supply +	3	wh (white)
Supply -	4	bn (brown)
Signal + (only for 3-wire)	1	gn (green)
Shield	2	gn/ye (green / yellow)

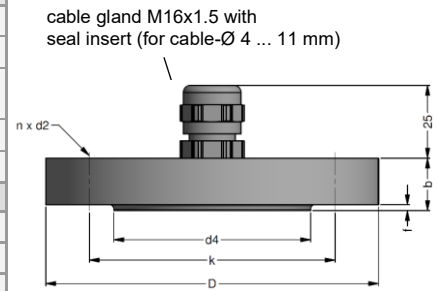
⁵ in detached version

Dimensions (in mm)



Accessories

Assembling flange with cable gland		
Technical Data		
Suitable for	all probes	
Flange material	stainless steel 1.4404 (316L)	
Material of cable gland	standard: brass, zinc plated on request: stainless steel 1.4305 (303); plastic	
Seal insert	material: TPE (ingress protection IP 68)	
Hole pattern	according to DIN 2507	
Version	Size (in mm)	Weight
DN25 / PN40	D = 115, k = 85, b = 18, n = 4, d = 14	1.4 kg
DN50 / PN40	D = 165, k = 125, b = 20, n = 4, d = 18	3.2 kg
DN80 / PN16	D = 200, k = 160, b = 20, n = 8, d = 18	4.8 kg
Ordering type		Ordering code
Assembling Flange DN25 / PN40		5000275
Assembling Flange DN50 / PN40		5000278
Assembling Flange DN80 / PN16		5000279



Terminal clamp		
Technical Data		
Suitable for	all probes with cable Ø 5.5 ... 10.5 mm	
Material	standard: steel, zinc plated optionally: stainless steel 1.4301 (304)	
Weight	approx. 160 g	
Ordering type		Ordering code
Terminal clamp, of steel, zinc plated		1003440
Terminal clamp, of stainless steel 1.4301 (304)		1000278



This data sheet contains product specification. Properties are not guaranteed. Subject to change without notice.

0,- ... without additional charge

On request ... in accordance with the producer

Surcharges for calibration are not subject to any discounts. Subject to change.

This document contains the specification for ordering the product; detailed technical parameters of the product and its possible variants are given in the data sheet. BD SENSORS reserves the right to change sensor specifications without further notice.

1 shielded cable with integrated ventilation tube for atmospheric pressure reference

2 pipe is not part of the supply

3 maximum length of PVC cable – 25 m, PUR, FEP, TPE – 40 m



BD SENSORS s.r.o.
Hradištská 817
CZ – 687 08 Buchlovice

Tel.: +420 572 411 011
Fax: +420 572 411 497

www.bdsensors.cz
info@bdsensors.cz

The company BD SENSORS s.r.o. is certified by TÜV SÜD Czech according to the standard ISO 9001.

