



**LINE SEIKI**

**DIGITAL THERMOMETER**

**TC-250** EASY OPERATION  
**TC-400** MULTI FUNCTION



AUTO POWER-OFF / DATA HOLD

**Features** Thermocouple Type K / Auto-Power Off / Data Hold / Burn-out Display / Battery Alarm / In Conformance to CE(EMC) / RoHS Compliant

**TC-400 Additional Features** Selectable Measuring Unit °C or °F / MAX. MIN. Record / Data Storage / Relative Value / Display / Reference Value Memory

**INFRARED THERMOMETER**

**TC-6000** SIMPLE & EASY OPERATION

Handy gun type with laser marking function.  
EL back light function.  
In Conformance to CE(EMC).



*TC-250*

*TC-400*

*TC-6000*

Specifications

| Model                      | TC-250   | TC-400  |
|----------------------------|--|---|
| Sensor Type                | Type K   |   |
| Measuring Range            | -160 (-256°F) ~ +1,372 (+2,502°F)  |   |
| Resolution                 | Automatic +199.9 (+391.8°F) or less : 0.1 (0.2 °F) +200 (+392°F) or more : 1 (1.8°F)   |   |
| Accuracy                   | 0 (32°F) ~ +199.9 (391.8°F) ±: 0.1 % of reading +0.7 (+1.3°F)<br>-0.1 (31.8°F) or less, +200 (+392°F) or more : ±0.2% of reading +1 (+1.8°F)<br>(at Ambient Temp. 25 (77°F) ±5 (41°F)) |   |
| Temperature Coefficient    | ±0.015% of reading + 0.06 (0.108°F) / (1.8°F)  |   |
| Sampling Time              | Approx. 1.2 sec.   |   |
| Operation Function         | Auto Power - Off ,<br>Data Hold  | °C/ °F (Selectable) , Auto Power - Off ,<br>Data Hold , Data Record(MAX / MIN /<br>Memory) , Relative Measurement |
| Display                    | HOLD, Burn-out, Low Battery  | HOLD, REC, REL, MAX, MIN, MEM,<br>°C/ °F, Burn-out, Low Battery   |
| Operating Temp. / Humidity | 0 ~ 50°C (32 ~ 122°F)<br>0 ~ 90 % RH at 0 ~ 35°C (32 ~ 95°F)   |   |
| Power Supply               | Battery 006P (9V)  |   |
| Battery life               | Approx. 500 Hours  |   |
| Size / Weight              | Approx. 166 (H)X 68 (W) X 35 (D) mm, Approx. 200g  |   |
| Sensor Connector           | Thermocouple Connector   |   |
| Accessories                | One Battery 006P, Instruction Manual   |   |
| Compliance                 | CE and RoHS  |   |

Carrying Case ( Sold Separately)

Model No. / HM-818

Waist-Pouch Type with Belt



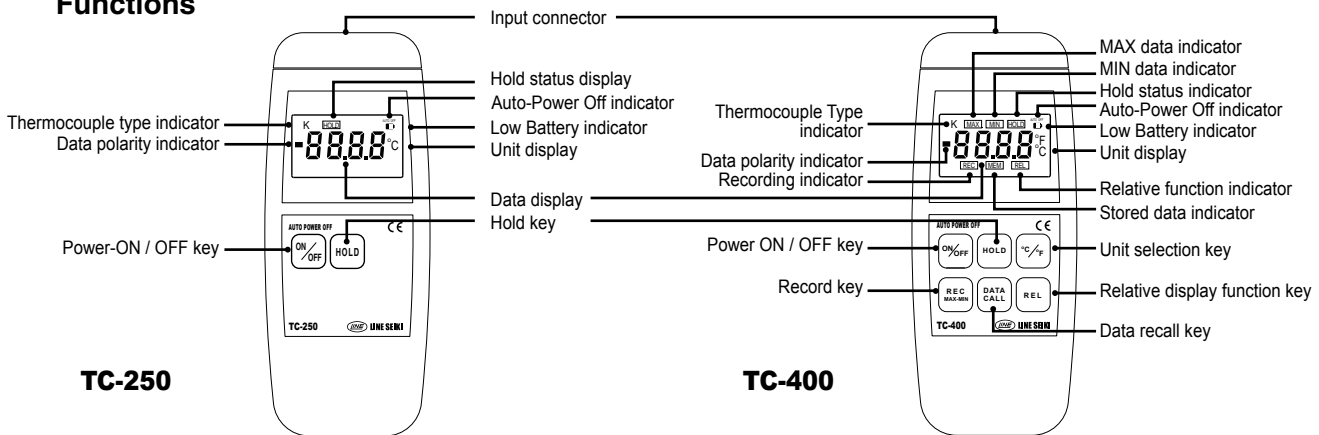
300 (H) X 140 (W) X 40 (D) mm

Thermocouple Probes (Sold Separately)

Please refer to Thermocouple probes catalog to choose the best model for your application.

K: -160°C (-256°F) ~ +1,372°C (+2,502°F)

Functions

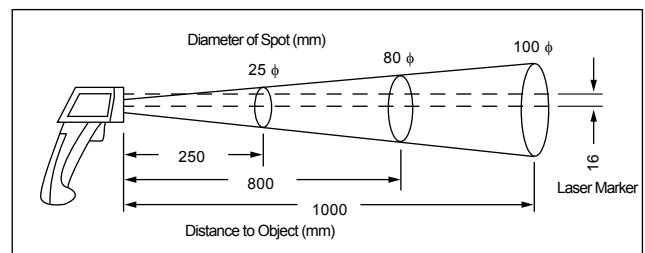


INFRARED THERMOMETER

TC-6000

Specifications

|                       |  |
|-----------------------|--|
| Measuring Range       | - 30°C ~ +550°C                                      |
| Resolution            | 0.5°C/1°C Automatic Change                           |
| Accuracy              | ±2% rdg or ±3 °C whichever is higher                 |
| Sampling Time         | 4 times / sec  |
| Emittance             | 0.95 Fix   |
| Measuring Area Size   | φ100mm at 1000mm                                     |
| Ambient Range         | 0°C ~ 50°C, under 70%RH                              |
| Storage Ambient Range | - 20°C ~ 60°C, under 80%RH                           |
| Display               | 3.5 Digit LCD Display                                |
| Power Supply          | 9V 006P  |
| Size / Weight         | 148 (W) X 105 (H) X 42 (D) mm , Approx. 160g         |
| Accessories           | One Battery 006P, Instruction Manual , Plastic Cover |
| Compliance            | CE   |



Authorized Distributor :

**LINE SEIKI CO., LTD.**

Address: 37-7 Chuo-cho, 2-Chome Meguro-ku, Tokyo 152-0001 Japan  
 Contact : Tel: +81-3-37165151 Fax: +81-3-37104552  
 E-mail : webtrade@line.co.jp Web: http://www.line.co.jp

This catalogue was last revised as of October 13, 2011.  
 \*Specifications Subject to Change Without Notice  
 All Rights Reserved, Copyright©2011, LINE SEIKI CO., LTD.