

# LMP 305



## Slimline Probe

### Stainless Steel Sensor

accuracy according to IEC 60770:  
standard: 0.35 % span  
option: 0.25 % span

#### Nominal pressure

from 0 ... 1 mH<sub>2</sub>O up to 0 ... 250 mH<sub>2</sub>O

#### Output signals

2-wire: 4 ... 20 mA  
others on request

#### Special characteristics

- ▶ diameter 19 mm for cramped areas
- ▶ small thermal effect
- ▶ excellent long term stability
- ▶ excellent linearity

#### Optional versions

- ▶ different kinds of cable
- ▶ customer specific versions  
e.g. special pressure ranges

The slimline probe LMP 305 with silicon stainless steel sensor is designed for continuous level measurement in confined space conditions. Permissible media are clean or waste water and thin fluids.

A piezoresistive stainless steel sensor with low thermal error, an excellent linearity and a long term stability, is basis of LMP 305.

#### Preferred areas of use are

##### Water

level measurement in confined space conditions



ground water monitoring  
depth or level measurement in wells and open waters  
drinking water system  
level measurement in container



Input pressure range														
Nominal pressure gauge [bar]	0.1	0.16	0.25	0.4	0.6	1	1.6	2.5	4	6	10	16	25	
Level [mH <sub>2</sub> O]	1	1.6	2.5	4	6	10	16	25	40	60	100	160	250	
Overpressure [bar]	1	1	1	1	3	3	6	6	20	20	60	60	100	
max. ambient pressure (housing)	40 bar													

Output signal / Supply	
Standard	2-wire: 4 ... 20 mA / V <sub>S</sub> = 12 ... 36 V <sub>DC</sub>
Performance	
Accuracy	standard: nominal pressure > 0.4 bar: ≤ ± 0.35 % span nominal pressure ≤ 0.4 bar: ≤ ± 0.50 % span option: nominal pressure > 0.4 bar: ≤ ± 0.25 % span
Permissible load	R <sub>max</sub> = [(V <sub>S</sub> - V <sub>S min</sub> ) / 0,02 A] Ω
Influence effects	supply: 0.05 % span / 10 V load: 0.05 % span / kΩ
Long term stability	≤ ± 0.1 % span / year
Response time	< 10 msec

<sup>1</sup> accuracy according to IEC 60770 – limit point adjustment (non-linearity, hysteresis, repeatability)

Thermal effects (Offset and Span)					
Nominal pressure P <sub>N</sub> [bar]	≤ 0.1	≤ 0.25	≤ 0.4	≤ 1	> 1
Tolerance band [% span]	≤ ± 2	≤ ± 1.5	≤ ± 1	≤ ± 1	≤ ± 0.75
TC, average [% span / 10 K]	± 0.3	± 0.2	± 0.14	± 0.1	± 0.07
in compensated range [°C]	0 ... 50			0 ... 70	

Permissible temperatures	
Permissible temperatures	Medium/ electronics/ environment/ storage: -20 ... 80 °C *
<i>*If the cable is intended for use in a smaller temperature range, the use of the probe is limited by this range.</i>	

Electrical protection <sup>2</sup>	
Short-circuit protection	permanent
Reverse polarity protection	no damage, but also no function
Electromagnetic compatibility	emission and immunity according to EN 61326
Integrated overvoltage protection (ground wire) in accordance with CSN EN 61000-4-5 (1 kV) <sup>3</sup>	

<sup>2</sup> additional external overvoltage protection unit in terminal box KL 1 or KL 2 with atmospheric pressure reference available on request

<sup>3</sup> version with the output signal 4 ... 20 mA / 2-wire

Electrical connection			
Cable with sheath material <sup>4</sup>	PVC (-5 ... 70 °C)	grey (-25 ... 70 °C in fixed condition)	Ø 7,4 mm
	PUR (-25 ... 80 °C)	black (with drinking water certificate)	Ø 7,4 mm
	FEP <sup>5</sup> (-25 ... 75 °C)	black	Ø 7,4 mm
Cable capacitance	signal line/shield also signal line/signal line: 160 pF/m		
Cable inductance	signal line/shield also signal line/signal line: 1 µH/m		
Bending radius	static installation: 10-fold cable diameter dynamic application: 20-fold cable diameter		

<sup>4</sup> cable with integrated air tube for atmospheric pressure reference

<sup>5</sup> do not use freely suspended probes with an FEP cable if effects due to highly charging processes are expected

Materials (media wetted)	
Housing	stainless steel 1.4404 (316L)
Seals	FKM / EPDM
Diaphragm	stainless steel 1.4435 (316L)
Protection cap	POM-C
Cable sheath	PVC / PUR / FEP

Miscellaneous	
Connecting cables (by factory)	cable capacitance: signal line/shield also signal line/signal line: 160 pF/m cable inductance: signal line/shield also signal line/signal line: 1 µH/m
Current consumption	signal output current: max. 25 mA
Weight	approx. 100 g (without cable)
Ingress protection	IP 68
CE-conformity	EMC Directive: 2014/30/EU



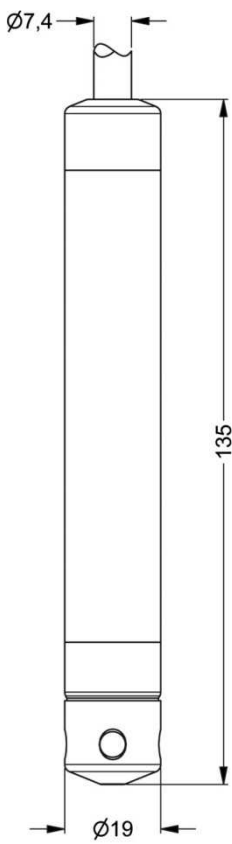
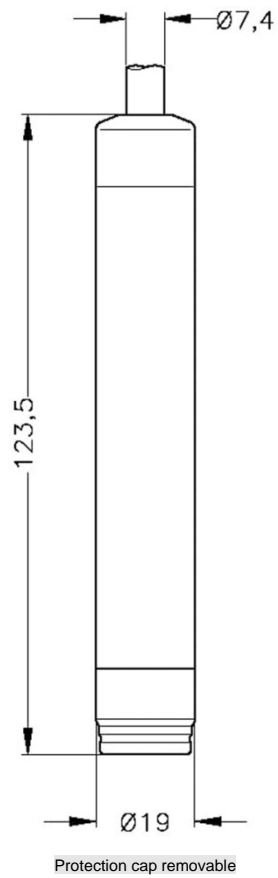
# LMP 305

Stainless Steel Probe

Technical Data

Pin configuration	
Electrical connection	cable colours (DIN 47100)
Supply +	wh (white)
Supply -	bn (brown)
Shield	gn/ye (green / yellow)

Dimensions (in mm)	
	

*This data sheet contains product specification. properties are not guaranteed. Subjected to change without notice.*

Mounting flange with cable gland		
<b>Technical data</b>		cable gland M16x1.5 with seal insert (for cable- $\varnothing$ 4 ... 11 mm)
Suitable for	all probes	
Flange material	stainless steel 1.4404 (316L)	
Material of cable gland	standard: brass, nickel plated on request: stainless steel 1.4305 (303); plastic	
Seal insert	material: TPE (ingress protection IP 68)	
Hole pattern	according to DIN 2507	
<b>Version</b>	<b>Size (in mm)</b>	
DN25 / PN40	D = 115, k = 85, b = 18, n = 4, d = 14	1.4 kg
DN50 / PN40	D = 165, k = 125, b = 20, n = 4, d = 18	3.2 kg
DN80 / PN16	D = 200, k = 160, b = 20, n = 8, d = 18	4.8 kg
<b>Ordering type</b>		<b>Ordering code</b>
DN25 / PN40 with cable gland brass, nickel plated		ZMF2540
DN50 / PN40 with cable gland brass, nickel plated		ZMF5040
DN80 / PN16 with cable gland brass, nickel plated		ZMF8016
<b>Cable clamp</b>		
<b>Technical Data</b>		
Suitable for	all probes with cable $\varnothing$ 5.5 ... 10.5 mm	
Material	standard: steel, zinc plated optionally: stainless steel 1.4301 (304)	
Weight	approx. 160 g	
<b>Ordering type</b>		<b>Ordering code</b>
Terminal clamp, of steel, zinc plated		1003440
Terminal clamp, of stainless steel 1.4301 (304)		1000278
<b>Display program</b>		
<p><b>CIT 200</b> Process display with LED display</p> <p><b>CIT 250</b> Process display with LED display and contacts</p> <p><b>CIT 300</b> Process display with LED display, contacts and analogue output</p> <p><b>CIT 350</b> Process display with LED display, bargraph, contacts and analogue output</p> <p><b>CIT 400</b> Process display with LED display, contacts, analogue output and Ex-approval</p> <p><b>CIT 600</b> Multichannel process display with graphics-capable LC display</p> <p><b>CIT 650</b> Multichannel process display with graphics-capable LC display and datalogger</p> <p><b>CIT 700</b> Multichannel process display with graphics-capable TFT monitor, touchscreen and contacts</p> <p><b>PA 440</b> Field display with 4-digit LC display</p>		
For further information please contact our sales department or visit our homepage: <a href="http://www.bdsensors.com">http://www.bdsensors.com</a>		

## Ordering code LMP 305

1.3.2021

LMP 305

□ □ □ - □ □ □ □ - □ - □ - □ - □ - □ - □ □ □ □ - □ □ □ □

<b>Pressure</b>																				
in bar		4	0	0																
in m H <sub>2</sub> O		4	0	1																
<b>Input</b>	<b>[mH<sub>2</sub>O]</b>	<b>[bar]</b>																		
	0 ... 1	0 ... 0,1		1	0	0	0													
	0 ... 1,6	0 ... 0,16		1	6	0	0													
	0 ... 2,5	0 ... 0,25		2	5	0	0													
	0 ... 4	0 ... 0,4		4	0	0	0													
	0 ... 6	0 ... 0,6		6	0	0	0													
	0 ... 10	0 ... 1		1	0	0	1													
	0 ... 16	0 ... 1,6		1	6	0	1													
	0 ... 25	0 ... 2,5		2	5	0	1													
	0 ... 40	0 ... 4		4	0	0	1													
	0 ... 60	0 ... 6		6	0	0	1													
	0 ... 100	0 ... 10		1	0	0	2													
	0 ... 160	0 ... 16		1	6	0	2													
	0 ... 250	0 ... 25		2	5	0	2													
<b>Customer</b>				9	9	9	9													
<b>Housing material</b>																				
	Stainless steel 1.4404 (316L)						1													
<b>Diaphragm material</b>																				
	Stainless steel 1.4435 (316L)						1													
<b>Output</b>																				
	4 ... 20 mA / 2-wire																			1
	Customer																			9
<b>Seals</b>																				
	Viton (FKM)																			1
	EPDM																			3
	Customer																			9
<b>Accuracy</b>																				
	0,5 % (P <sub>N</sub> ≤ 0,4 bar)																			5
	0,35 % (P <sub>N</sub> > 0,4 bar)																			3
	0,25 % (P <sub>N</sub> > 0,4 bar)																			2
	Customer																			9
<b>Electrical connection</b>																				
	PVC - cable (grey, Ø 7,4 mm, price for 1 m) <sup>1</sup>																			1
	PUR - cable (black, Ø 7,4 mm, price for 1 m) <sup>1</sup>																			2
	FEP - cable with PTFE sheath (black, Ø 7,4 mm, price for 1 m) <sup>1</sup>																			3
	Customer																			9
<b>Cable length</b>																				
	in m																			9 9 9
<b>Special version</b>																				
	Standard																			0 0 0
	Customer																			9 9 9
<b>Accessories for submersible transmitter</b>																				
	Terminal clamp - zinc plated																			1003440
	Terminal clamp - Stainless Steel 1.4301																			1000278
	Mounting screw PG16 - plastic																			5002200

0,-...without additional charge

On request...in accordance with the producer

Surcharges for calibration are not subject to any discounts. Subject to change. □

This document contains the specification for ordering the product; detailed technical parameters of the product and its possible variants are given in the data sheet.

BD SENSORS reserves the right to change sensor specifications without further notice.



BD SENSORS s.r.o.  
Hradištská 817  
CZ – 687 08 Buchlovice

Tel.: +420 572 411 011  
Fax: +420 572 411 497

www.bdsensors.cz  
info@bdsensors.cz

The company BD SENSORS s.r.o. is certified by TÜV SÜD Czech according to the standard ISO 9001.



1 shielded cable with integrated ventilation tube for atmospheric pressure reference



BD SENSORS s.r.o.  
Hradištská 817  
CZ – 687 08 Buchlovice

Tel.: +420 572 411 011  
Fax: +420 572 411 497

[www.bdsensors.cz](http://www.bdsensors.cz)  
[info@bdsensors.cz](mailto:info@bdsensors.cz)

The company BD SENSORS s.r.o. is certified by TÜV SÜD Czech according to the standard ISO 9001.

