

Overview

- 0,8 mm
- NPN break function (NC)
- connector M8
- -25 ... 75 °C
- IP 67



Picture similar



Technical data

General data

| | |
|--|------------------------------|
| Mounting type | Flush |
| Nominal sensing distance S _n | 0,8 mm |
| Hysteresis | 2 ... 20 % of S _r |
| Output indicator | 3 port LED red |

Electrical data

| | |
|---------------------------------------|-------------------------|
| Switching frequency | < 3 kHz |
| Voltage supply range +V _s | 6 ... 30 VDC |
| Current consumption max. (no load) | 12 mA |
| Output circuit | NPN break function (NC) |
| Voltage drop V _d | < 2 VDC |
| Output current | < 100 mA |

Electrical data

| | |
|-----------------------------|-----|
| Short circuit protection | Yes |
| Reverse polarity protection | Yes |

Mechanical data

| | |
|-------------------------|--------------------|
| Type | Cylindrical smooth |
| Material (sensing face) | POM |
| Housing material | Stainless steel |
| Dimension | 3 mm |
| Housing length | 12 mm |
| Connection types | Connector M8 |

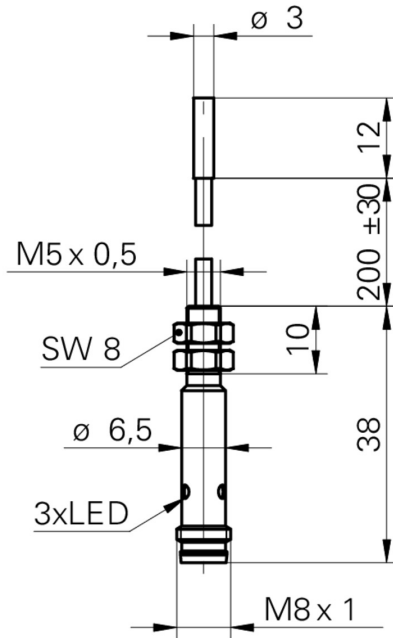
Ambient conditions

| | |
|-----------------------|----------------|
| Operating temperature | -25 ... +75 °C |
| Protection class | IP 67 |

Remarks

- Cable amplifier with M8 x 1 connector
- 12 mm housing length

Dimension drawing



Connection diagram

