

Overview

- 0,8 mm
- PNP break function (NC)
- wires, 0,5 m
- -25 ... 75 °C
- IP 67



Picture similar



Technical data

General data

Mounting type	Flush
Nominal sensing distance S _n	0,8 mm
Hysteresis	2 ... 20 % of S _r

Electrical data

Switching frequency	< 3 kHz
Voltage supply range +V _s	6 ... 30 VDC
Current consumption max. (no load)	12 mA
Output circuit	PNP break function (NC)
Voltage drop V _d	< 2 VDC
Output current	< 100 mA

Electrical data

Short circuit protection	Yes
Reverse polarity protection	Yes

Mechanical data

Type	Cylindrical smooth
Material (sensing face)	POM
Housing material	Stainless steel
Dimension	3 mm
Housing length	16 mm
Connection types	Wires, 0,5 m

Ambient conditions

Operating temperature	-25 ... +75 °C
Protection class	IP 67

Remarks

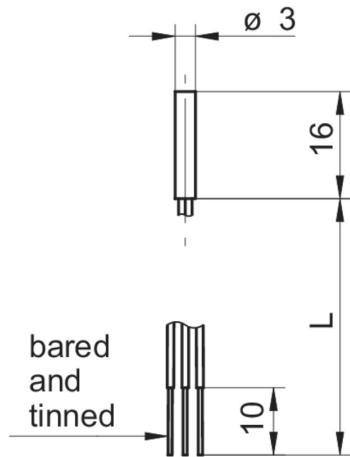
- Fully contained, 3 individual strands
- Cable version: 22 mm housing length
- Individual strands: 16 mm housing length

IFRM 03P3503/Q

Inductive proximity switch - subminiature

Article number: 10137013

Dimension drawing



Connection diagram

