

Overview

- 1 mm
- NPN break function (NC)
- connector M5
- -25 ... 75 °C
- IP 67



Picture similar



Technical data

General data

Mounting type	Flush
Nominal sensing distance S _n	1 mm
Hysteresis	2 ... 20 % of S _r
Output indicator	2 port LED red

Electrical data

Switching frequency	< 5 kHz
Voltage supply range +V _s	6 ... 30 VDC
Current consumption max. (no load)	12 mA
Output circuit	NPN break function (NC)
Voltage drop V _d	< 2 VDC
Output current	< 200 mA

Electrical data

Short circuit protection	Yes
Reverse polarity protection	Yes

Mechanical data

Type	Cylindrical smooth
Material (sensing face)	LCP
Housing material	Stainless steel
Dimension	4 mm
Housing length	24 mm
Connection types	Connector M5

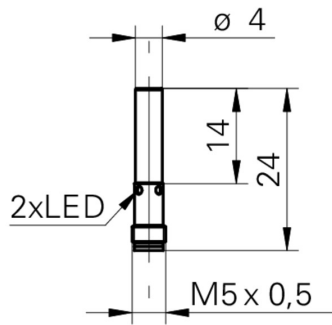
Ambient conditions

Operating temperature	-25 ... +75 °C
Protection class	IP 67

Remarks

- Shortest connector version M5 x 0,5
- 2 port LED

Dimension drawing



Connection diagram

