

Overview

- PLEASE NOTE:
- PRODUCT NOT FOR NEW PROJECTS



Picture similar



Technical data

General data

Measuring distance Sd	100 ... 1000 mm
Beam diameter	3,7 ... 13 mm
Adjustment	Teach-in
Teach-in range min.	> 50 mm
Power on indication	LED green
Soiled lens indicator	LED red
Resolution	300 ... 4000 µm
Linearity error	± 1,1 ... 15 mm
Beam type	Point
Interference suppression	< 32 ms

Light Source

Light source	Pulsed red laser diode
Wave length	656 nm
Laser class	1

Electrical data

Response time / release time	< 12,8 ms
Voltage supply range +Vs	12 ... 30 VDC
Current consumption max. (no load)	80 mA

Electrical data

Output circuit	Analog
Output signal	4 ... 20 mA
Load resistance (analog I)	< (+Vs - 6 V) / 0,02 A
Output current	< 100 mA
Alarm output	Push-pull
Short circuit protection	Yes
Reverse polarity protection	Yes, Vs to GND

Mechanical data

Width / diameter	23,4 mm
Height / length	63 mm
Depth	45 mm
Type	Rectangular
Housing material	Plastic (SAN LURAN 378P)
Front (optics)	PMMA
Connection types	Cable, 2 m

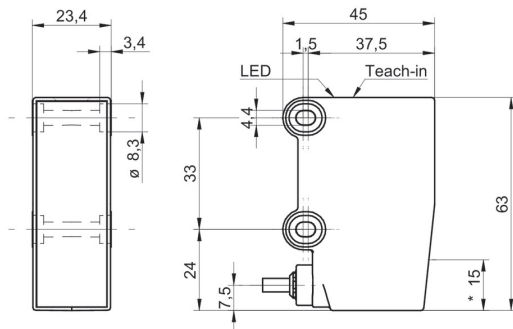
Ambient conditions

Ambient light immunity	< 20 kLux
Operating temperature	0 ... +50 °C
Protection class	IP 67

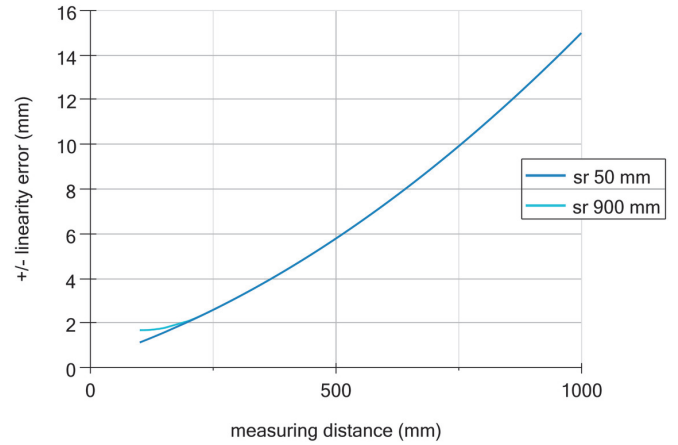
Remarks

- qTeach

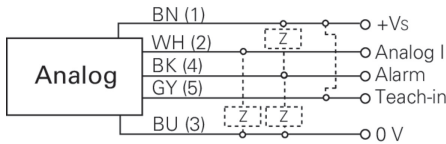
Dimension drawing



Linearity error



Connection diagram



Laser warning

CLASS 1 LASER PRODUCT

IEC 60825-1/2014
Complies with 21 CFR 1040.10 and 1040.11 except for conformance with IEC 60825-1 Ed. 3., as described in Laser Notice No. 56, dated May 8, 2019

Resolution

