

**Overview**

- PLEASE NOTE:
- PRODUCT NOT FOR NEW PROJECTS



Picture similar



**Technical data**

**General data**

Measuring distance Sd	100 ... 1000 mm
Beam diameter	3,7 ... 13 mm
Adjustment	Teach-in
Teach-in range min.	> 50 mm
Power on indication	LED green
Soiled lens indicator	LED red
Resolution	300 ... 4000 µm
Linearity error	± 1,1 ... 15 mm
Beam type	Point
Interference suppression	< 32 ms

**Light Source**

Light source	Pulsed red laser diode
Wave length	656 nm
Laser class	1

**Electrical data**

Response time / release time	< 12,8 ms
Voltage supply range +Vs	12 ... 30 VDC
Current consumption max. (no load)	80 mA

**Electrical data**

Output circuit	Analog
Output signal	0 ... 10 VDC
Load resistance (analog U)	> 100 kOhm
Output current	< 100 mA
Alarm output	Push-pull
Short circuit protection	Yes
Reverse polarity protection	Yes, Vs to GND

**Mechanical data**

Width / diameter	23,4 mm
Height / length	63 mm
Depth	45 mm
Type	Rectangular
Housing material	Plastic (SAN LURAN 378P)
Front (optics)	PMMA
Connection types	Cable, 2 m

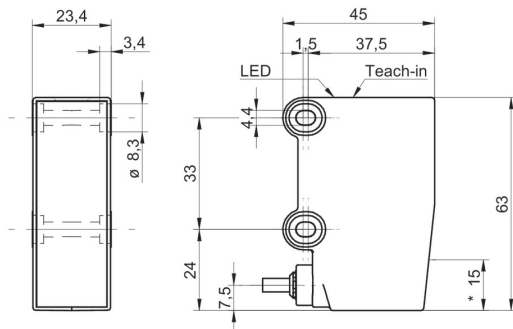
**Ambient conditions**

Ambient light immunity	< 20 kLux
Operating temperature	0 ... +50 °C
Protection class	IP 67

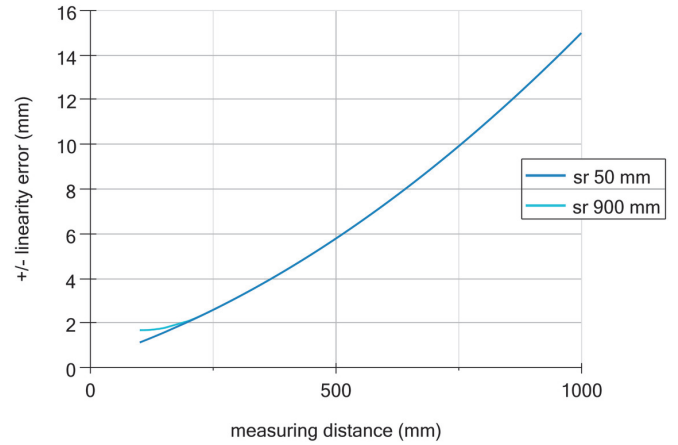
**Remarks**

- qTeach

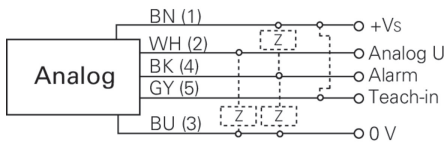
**Dimension drawing**



**Linearity error**



**Connection diagram**



**Laser warning**



IEC 60825-1/2014  
Complies with 21 CFR 1040.10 and 1040.11 except for conformance with IEC 60825-1 Ed. 3., as described in Laser Notice No. 56, dated May 8, 2019

**Resolution**

