

**Overview**

- 50 ... 350 mm
- pulsed red laser diode
- RS 485
- RS 485
- connector M8 4 pin
- 50 °C
- IP 67



Picture similar



**Technical data**

**General data**

Measuring distance Sd	50 ... 350 mm
Beam diameter	1 mm
Adjustment	RS485
Power on indication	LED green
Resolution	50 ... 400 µm
Linearity error	± 0,18 ... 1,2 mm
Beam type	Point
Alarm indicator	LED red
Temperature drift	< 0,04 % Sde/K

**Light Source**

Light source	Pulsed red laser diode
Wave length	650 nm
Laser class	2

**Electrical data**

Response time / release time	< 0,9 ms
Voltage supply range +Vs	12 ... 28 VDC
Current consumption max. (no load)	80 mA

**Electrical data**

Output circuit	RS485
Short circuit protection	Yes
Reverse polarity protection	Yes, Vs to GND

**Communication interface**

Baud rate	38400, adjustable
-----------	-------------------

**Mechanical data**

Width / diameter	13,4 mm
Height / length	48,2 mm
Depth	40 mm
Type	Rectangular
Housing material	Aluminum
Front (optics)	Glass
Connection types	Connector M8 4 pin

**Ambient conditions**

Ambient light immunity	< 20 kLux
Operating temperature	0 ... +50 °C
Protection class	IP 67

**Remarks**

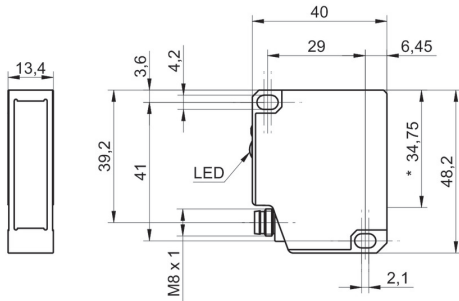
- For objects with a reflectivity < 10 % the response time/release time is increased automatically up to max. 3 ms.

# OADM 13S6475/S35A

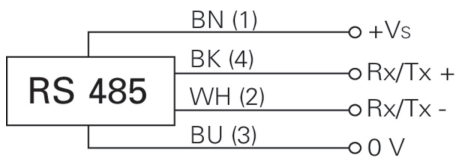
Distance sensors - miniature

Article number: 11002550

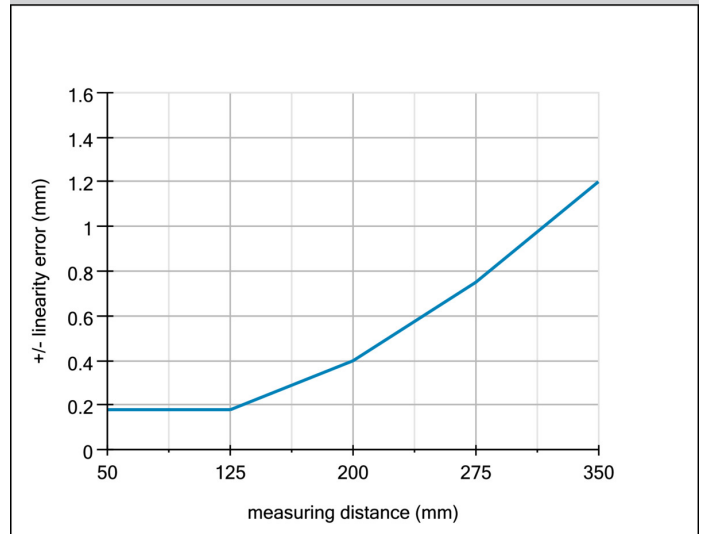
## Dimension drawing



## Connection diagram



## Linearity error



## Laser warning



**LASER RADIATION**  
**DO NOT STARE INTO BEAM**  
Wavelength: 640...670nm  
IEC 60825-1, Ed. 3, 2014  
**CLASS 2 LASER PRODUCT**

IEC 60825-1/2014 Complies with 21 CFR 1040.10 and 1040.11 except for conformance with IEC 60825-1 Ed. 3., as described in Laser Notice No. 56, dated May 8, 2019

## Resolution

