

**Overview**

- 50 ... 350 mm
- pulsed red laser diode
- RS 232
- RS 232
- connector M8 4 pin
- 50 °C
- IP 67



Picture similar



**Technical data**

**General data**

|                       |                   |
|-----------------------|-------------------|
| Measuring distance Sd | 50 ... 350 mm     |
| Beam diameter         | 1 mm              |
| Adjustment            | RS232             |
| Power on indication   | LED green         |
| Resolution            | 50 ... 400 µm     |
| Linearity error       | ± 0,18 ... 1,2 mm |
| Beam type             | Point             |
| Alarm indicator       | LED red           |
| Temperature drift     | < 0,04 % Sde/K    |

**Light Source**

|              |                        |
|--------------|------------------------|
| Light source | Pulsed red laser diode |
| Wave length  | 650 nm                 |
| Laser class  | 2                      |

**Electrical data**

|                                    |               |
|------------------------------------|---------------|
| Response time / release time       | < 0,9 ms      |
| Voltage supply range +Vs           | 12 ... 28 VDC |
| Current consumption max. (no load) | 80 mA         |

**Electrical data**

|                             |                |
|-----------------------------|----------------|
| Output circuit              | RS232          |
| Short circuit protection    | Yes            |
| Reverse polarity protection | Yes, Vs to GND |

**Communication interface**

|           |                   |
|-----------|-------------------|
| Baud rate | 38400, adjustable |
|-----------|-------------------|

**Mechanical data**

|                  |                    |
|------------------|--------------------|
| Width / diameter | 13,4 mm            |
| Height / length  | 48,2 mm            |
| Depth            | 40 mm              |
| Type             | Rectangular        |
| Housing material | Aluminum           |
| Front (optics)   | Glass              |
| Connection types | Connector M8 4 pin |

**Ambient conditions**

|                        |              |
|------------------------|--------------|
| Ambient light immunity | < 20 kLux    |
| Operating temperature  | 0 ... +50 °C |
| Protection class       | IP 67        |

**Remarks**

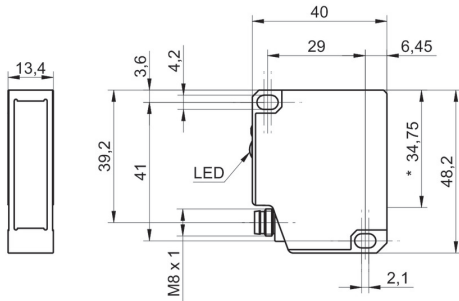
- For objects with a reflectivity < 10 % the response time/release time is increased automatically up to max. 3 ms.

# OADM 13T6475/S35A

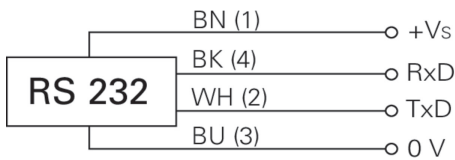
Distance sensors - miniature

Article number: 11003205

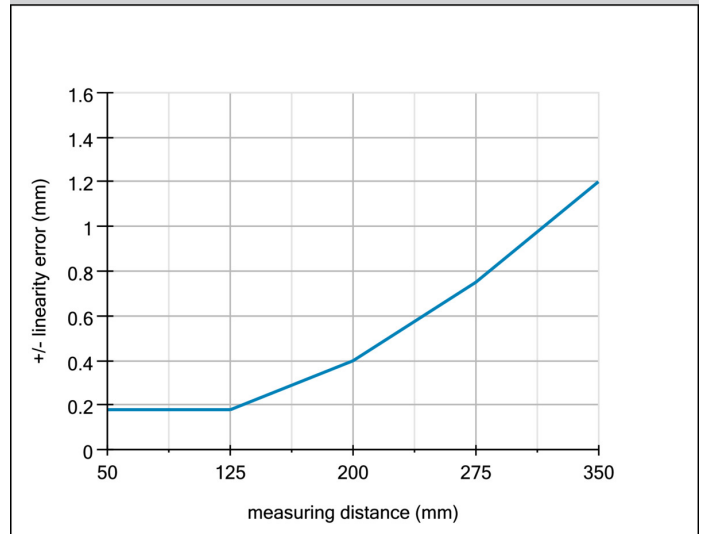
## Dimension drawing



## Connection diagram



## Linearity error



## Laser warning



**LASER RADIATION**  
**DO NOT STARE INTO BEAM**  
Wavelength: 640...670nm  
IEC 60825-1, Ed. 3, 2014  
**CLASS 2 LASER PRODUCT**

IEC 60825-1/2014 Complies with 21 CFR 1040.10 and 1040.11 except for conformance with IEC 60825-1 Ed. 3., as described in Laser Notice No. 56, dated May 8, 2019

## Resolution

