

Overview

- 100 ... 200 mm
- pulsed red laser diode
- analog
- Teach-in: button / external
- connector M8 4 pin
- 50 °C
- IP 67



Picture similar



Technical data

General data

Measuring distance Sd	100 ... 200 mm
Adjustment	Teach-in: button / external
Teach-in range min.	> 5 mm
Power on indication	LED green
Soiled lens indicator	LED red
Resolution	39 ... 150 µm
Linearity error	± 0,123 ... 0,457 mm
Beam type	Line
Interference suppression	< 30 ms
Object reflectivity	> 2 %
Temperature drift	< 0,07 % Sde/K

Light Source

Light source	Pulsed red laser diode
Wave length	650 nm
Laser class	1

Electrical data

Response time / release time	< 2 ms
Voltage supply range +Vs	12 ... 28 VDC

Electrical data

Current consumption max. (no load)	80 mA
Output circuit	Analog
Output signal	0 ... 10 VDC
Load resistance	> 100 kOhm
Short circuit protection	Yes
Reverse polarity protection	Yes, Vs to GND

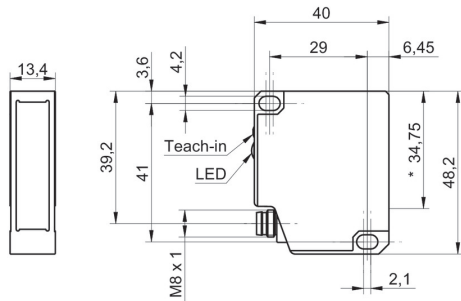
Mechanical data

Width / diameter	13,4 mm
Height / length	48,2 mm
Depth	40 mm
Type	Rectangular
Housing material	Aluminum
Front (optics)	Glass
Connection types	Connector M8 4 pin

Ambient conditions

Ambient light immunity	< 100 kLux
Operating temperature	0 ... +50 °C
Protection class	IP 67

Dimension drawing



Connection diagram



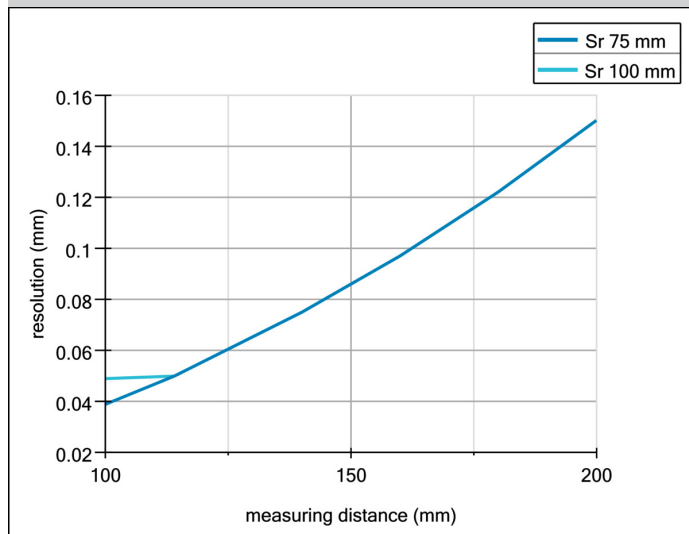
Laser warning

CLASS 1 LASER PRODUCT

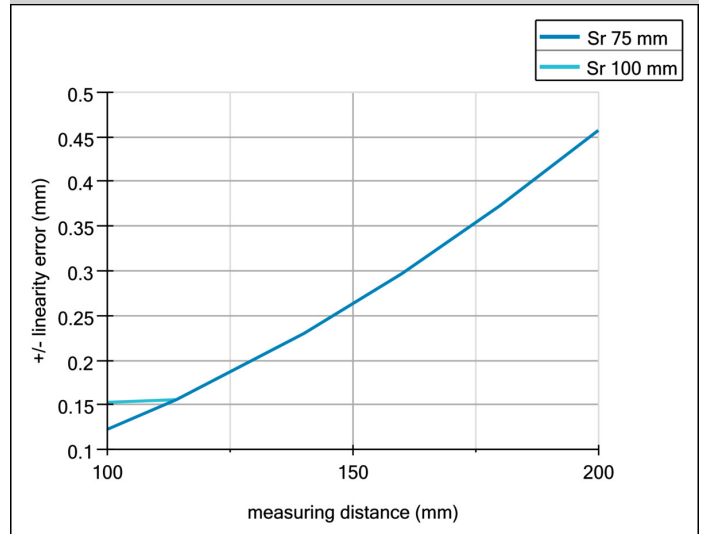
IEC 60825-1/2014

Complies with 21 CFR 1040.10 and 1040.11 except for conformance with IEC 60825-1 Ed. 3., as described in Laser Notice No. 56, dated May 8, 2019

Resolution



Linearity error



Beam characteristic (typically)

