

OADM 20I5460/S14C

Distance sensors

Article number: 11164050

Overview

- 30 ... 130 mm
- pulsed red laser diode
- analog
- no
- connector M12 5 pin, rotatable
- 50 °C
- IP 67



Picture similar

Technical data

General data

| | |
|-----------------------|--------------------|
| Measuring distance Sd | 30 ... 130 mm |
| Beam diameter | 2 ... 1 mm |
| Adjustment | No |
| Power on indication | LED green |
| Soiled lens indicator | LED red |
| Resolution | 50 ... 70 µm |
| Linearity error | ± 0,15 ... 0,22 mm |
| Beam type | Point |
| Temperature drift | < 0,03 % Sde/K |

Light Source

| | |
|--------------|------------------------|
| Light source | Pulsed red laser diode |
| Wave length | 650 nm |

Electrical data

| | |
|------------------------------------|---------------|
| Response time / release time | < 10 ms |
| Voltage supply range +Vs | 12 ... 28 VDC |
| Current consumption max. (no load) | 100 mA |

Electrical data

| | |
|-----------------------------|------------------------|
| Output circuit | Analog |
| Output signal | 4 ... 20 mA |
| Load resistance (analog I) | < (+Vs - 6 V) / 0,02 A |
| Alarm output | PNP |
| Short circuit protection | Yes |
| Reverse polarity protection | Yes, Vs to GND |

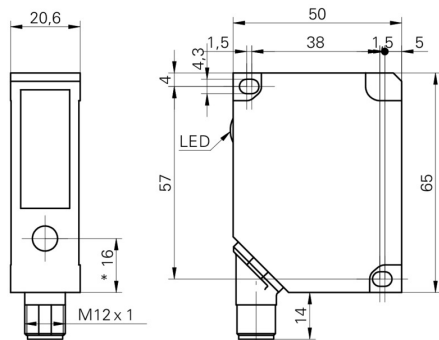
Mechanical data

| | |
|------------------|--------------------------------|
| Width / diameter | 20,6 mm |
| Height / length | 65 mm |
| Depth | 50 mm |
| Type | Rectangular |
| Housing material | Die-cast zinc |
| Front (optics) | Glass |
| Connection types | Connector M12 5 pin, rotatable |

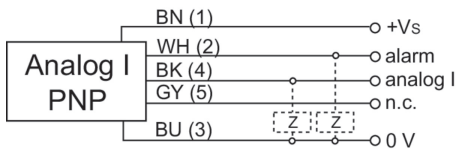
Ambient conditions

| | |
|-----------------------|--------------|
| Operating temperature | 0 ... +50 °C |
| Protection class | IP 67 |

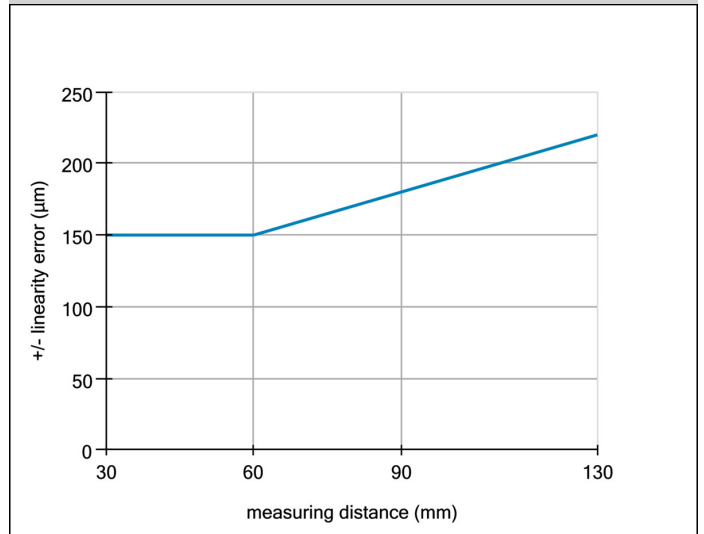
Dimension drawing



Connection diagram



Linearity error



Laser warning

LASER RADIATION
DO NOT STARE INTO BEAM
Wavelength: 640...670nm
IEC 60825-1, Ed. 3, 2014
CLASS 2 LASER PRODUCT

IEC 60825-1/2014 Complies with 21 CFR 1040.10 and 1040.11 except for conformance with IEC 60825-1 Ed. 3., as described in Laser Notice No. 56, dated May 8, 2019

Resolution

