

**Overview**

- 100 ... 600 mm
- pulsed red laser diode
- analog
- no
- connector M12 5 pin, rotatable
- 50 °C
- IP 67



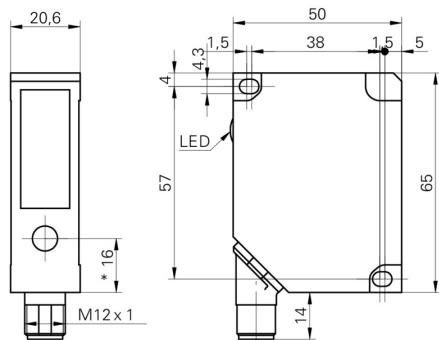
Picture similar



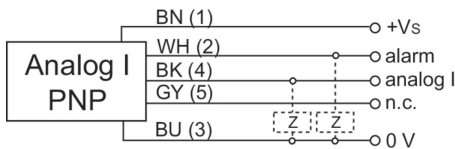
**Technical data**

General data		Electrical data	
Measuring distance Sd	100 ... 600 mm	Output circuit	Analog
Beam diameter	2 mm	Output signal	4 ... 20 mA
Adjustment	No	Load resistance (analog I)	< (+Vs - 6 V) / 0,02 A
Power on indication	LED green	Alarm output	PNP
Soiled lens indicator	LED red	Short circuit protection	Yes
Resolution	200 ... 500 µm	Reverse polarity protection	Yes, Vs to GND
Linearity error	± 1,2 ... 7,2 mm	Mechanical data	
Beam type	Point	Width / diameter	20,6 mm
Temperature drift	< 0,06 % Sde/K	Height / length	65 mm
Light Source		Depth	50 mm
Light source	Pulsed red laser diode	Type	Rectangular
Wave length	650 nm	Housing material	Die-cast zinc
Laser class	2	Front (optics)	Glass
Electrical data		Connection types	Connector M12 5 pin, rotatable
Response time / release time	< 10 ms	Ambient conditions	
Voltage supply range +Vs	12 ... 28 VDC	Operating temperature	0 ... +50 °C
Current consumption max. (no load)	100 mA	Protection class	IP 67

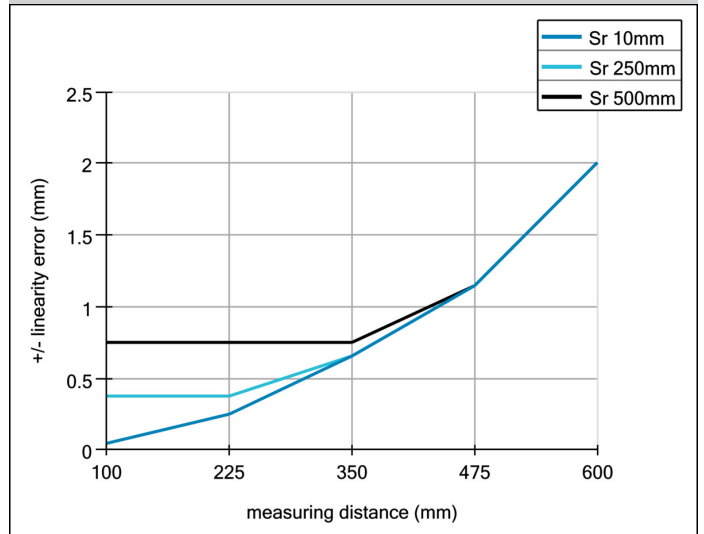
**Dimension drawing**



**Connection diagram**



**Linearity error**



**Laser warning**

**LASER RADIATION**  
DO NOT STARE INTO BEAM  
Wavelength: 640...670nm  
IEC 60825-1, Ed. 3, 2014  
**CLASS 2 LASER PRODUCT**

IEC 60825-1/2014 Complies with 21 CFR 1040.10 and 1040.11 except for conformance with IEC 60825-1 Ed. 3., as described in Laser Notice No. 56, dated May 8, 2019

**Resolution**

