

OADM 20I5560/S14C

Distance sensors

Article number: 11164059

Overview

- 30 ... 130 mm
- pulsed red laser diode
- analog
- no
- connector M12 5 pin, rotatable
- 50 °C
- IP 67



Picture similar

Technical data

General data

Measuring distance Sd	30 ... 130 mm
Adjustment	No
Power on indication	LED green
Soiled lens indicator	LED red
Resolution	50 ... 70 μm
Linearity error	$\pm 0,15 \dots 0,22 \text{ mm}$
Beam type	Line
Beam width	2 ... 1 mm
Beam height	3 ... 5 mm
Temperature drift	$< 0,03 \% \text{ Sde/K}$

Light Source

Light source	Pulsed red laser diode
Wave length	650 nm

Electrical data

Response time / release time	$< 10 \text{ ms}$
Voltage supply range +Vs	12 ... 28 VDC
Current consumption max. (no load)	100 mA

Electrical data

Output circuit	Analog
Output signal	4 ... 20 mA
Load resistance (analog I)	$< (+Vs - 6 \text{ V}) / 0,02 \text{ A}$
Alarm output	PNP
Short circuit protection	Yes
Reverse polarity protection	Yes, Vs to GND

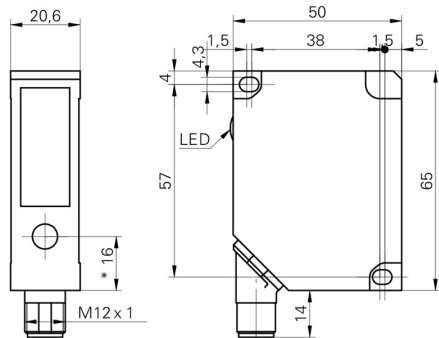
Mechanical data

Width / diameter	20,6 mm
Height / length	65 mm
Depth	50 mm
Type	Rectangular
Housing material	Die-cast zinc
Front (optics)	Glass
Connection types	Connector M12 5 pin, rotatable

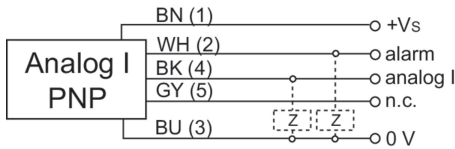
Ambient conditions

Operating temperature	0 ... +50 °C
Protection class	IP 67

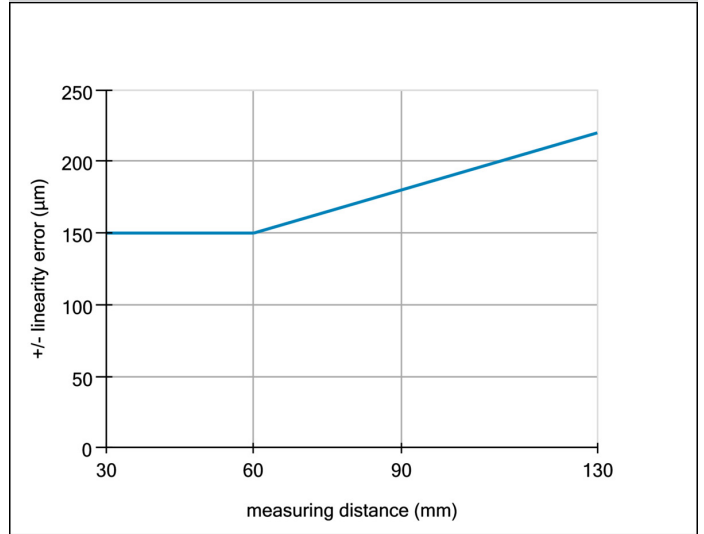
Dimension drawing



Connection diagram



Linearity error



Laser warning



LASER RADIATION
DO NOT STARE INTO BEAM
Wavelength: 640...670nm
IEC 60825-1, Ed. 3, 2014
CLASS 2 LASER PRODUCT

IEC 60825-1/2014 Complies with 21 CFR 1040.10 and 1040.11 except for conformance with IEC 60825-1 Ed. 3., as described in Laser Notice No. 56, dated May 8, 2019

Alignment of the laserline



Resolution

