

**Overview**

- 200 ... 1000 mm
- pulsed red laser diode
- analog
- no
- connector M12 5 pin, rotatable
- 50 °C
- IP 67



Picture similar

**Technical data**

**General data**

Measuring distance Sd	200 ... 1000 mm
Adjustment	No
Power on indication	LED green
Soiled lens indicator	LED red
Resolution	600 ... 2500 µm
Linearity error	± 2,4 ... 10 mm
Beam type	Line
Beam width	2,5 mm
Beam height	8,5 ... 35 mm
Temperature drift	< 0,06 % Sde/K

**Light Source**

Light source	Pulsed red laser diode
Wave length	650 nm

**Electrical data**

Response time / release time	< 10 ms
Voltage supply range +Vs	12 ... 28 VDC
Current consumption max. (no load)	100 mA

**Remarks**

- Linearity error: ±1,2% of measuring distance

**Electrical data**

Output circuit	Analog
Output signal	4 ... 20 mA
Load resistance (analog I)	< (+Vs - 6 V) / 0,02 A
Alarm output	PNP
Short circuit protection	Yes
Reverse polarity protection	Yes, Vs to GND

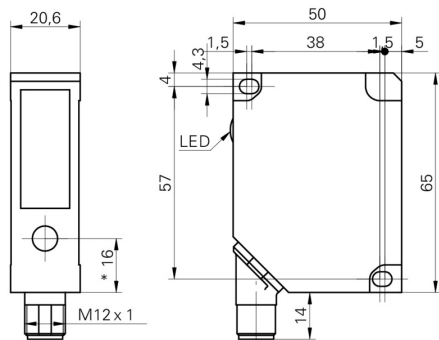
**Mechanical data**

Width / diameter	20,6 mm
Height / length	65 mm
Depth	50 mm
Type	Rectangular
Housing material	Die-cast zinc
Front (optics)	Glass
Connection types	Connector M12 5 pin, rotatable

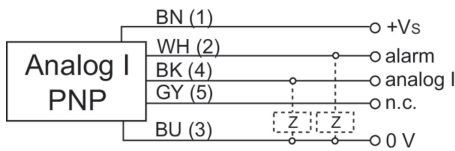
**Ambient conditions**

Operating temperature	0 ... +50 °C
Protection class	IP 67

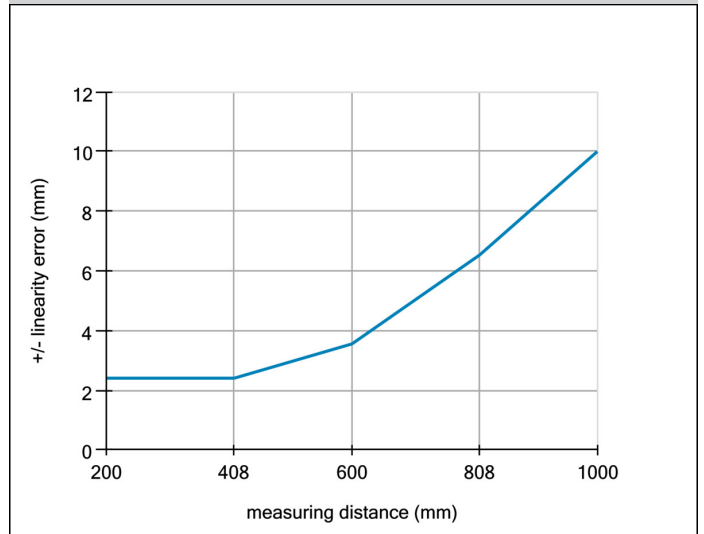
**Dimension drawing**



**Connection diagram**



**Linearity error**



**Laser warning**



**LASER RADIATION**  
**DO NOT STARE INTO BEAM**  
Wavelength: 640...670nm  
IEC 60825-1, Ed. 3, 2014  
**CLASS 2 LASER PRODUCT**

IEC 60825-1/2014 Complies with 21 CFR 1040.10 and 1040.11 except for conformance with IEC 60825-1 Ed. 3., as described in Laser Notice No. 56, dated May 8, 2019

**Alignment of the laserline**



**Resolution**

