

Overview

- 1 mm
- PNP make function (NO)
- flylead connector M8
- -25 ... 75 °C
- IP 67



Picture similar

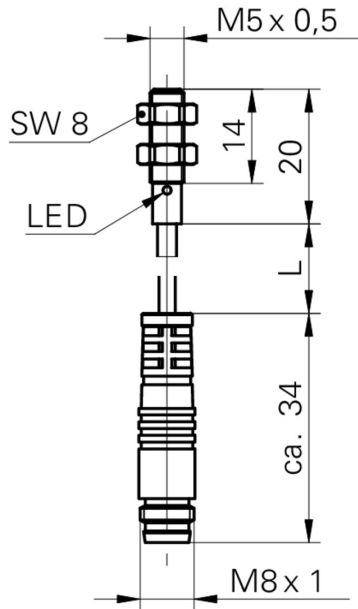


Technical data

General data		Electrical data	
Mounting type	Flush	Short circuit protection	Yes
Nominal sensing distance S _n	1 mm	Reverse polarity protection	Yes
Hysteresis	2 ... 20 % of S _r	Mechanical data	
Output indicator	LED red	Type	Cylindrical threaded
Electrical data		Material (sensing face)	LCP
Switching frequency	< 5 kHz	Housing material	Stainless steel
Voltage supply range +V _s	6 ... 30 VDC	Dimension	5 mm
Current consumption max. (no load)	12 mA	Housing length	20 mm
Output circuit	PNP make function (NO)	Connection types	Flylead connector M8, L=200 mm
Voltage drop V _d	< 2 VDC	Tightening torque max.	2 Nm (Front: 1,4 Nm)
Output current	< 200 mA	Ambient conditions	
		Operating temperature	-25 ... +75 °C
		Protection class	IP 67

2021-06-28 The product features and technical data specified do not express or imply any warranty. Technical modifications subject to change.

Dimension drawing



- Standard cable length 200 mm (L)

Connection diagram

