

OADM 2016591

Distance sensors - high vibration resistance

Article number: 10165976

Overview

- 50 ... 300 mm
- pulsed red laser diode
- Teach-in: button / external
- cable 8 pin, 2 m
- -20 ... 60 °C
- IP 67



Picture similar



Technical data

General data

Measuring distance Sd	50 ... 300 mm
Adjustment	Teach-in: button / external
Teach-in range min.	> 5 mm
Power on indication	LED green
Soiled lens indicator	LED red
Resolution	10 ... 400 µm
Linearity error	± 0,2 ... 1,5 mm
Beam type	Line
Beam width	2 mm
Beam height	6 ... 11 mm
Temperature drift	< 0,04 % Sde/K

Light Source

Light source	Pulsed red laser diode
Wave length	650 nm
Laser class	2

Electrical data

Response time / release time	< 2 ms
Voltage supply range +Vs	12 ... 28 VDC
Current consumption max. (no load)	100 mA
Output signal	4 ... 20 mA / 0 ... 10 VDC

Electrical data

Load resistance (analog I)	< (+Vs - 6 V) / 0,02 A
Load resistance (analog U)	> 100 kOhm
Output current	< 100 mA
Alarm output	PNP
Short circuit protection	Yes
Reverse polarity protection	Yes, Vs to GND

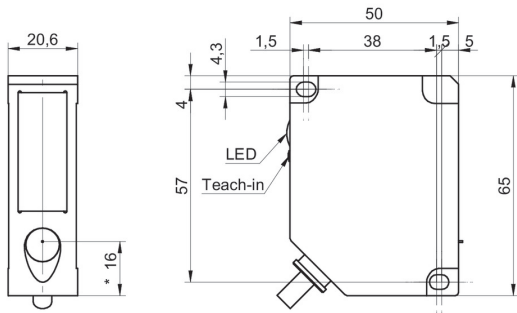
Mechanical data

Width / diameter	20,6 mm
Height / length	65 mm
Depth	50 mm
Type	Rectangular
Housing material	Die-cast zinc
Front (optics)	Glass
Connection types	Cable 8 pin, 2 m

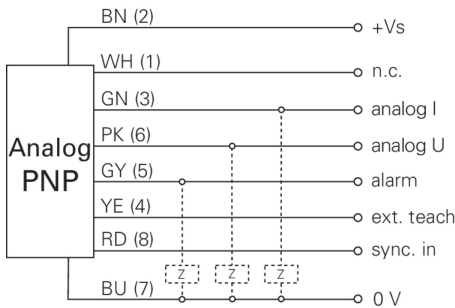
Ambient conditions

Ambient light immunity	< 100 kLux
Operating temperature	-20 ... +60 °C
Protection class	IP 67
Vibration (sinusoidal)	IEC 60068-2-6:2008 30 g at f = 10 - 2000 Hz, cycles per axis
Shock (semi-sinusoidal)	IEC 60068-2-29:2009 75 g / 6 ms, 4000 jolts per axis and direction

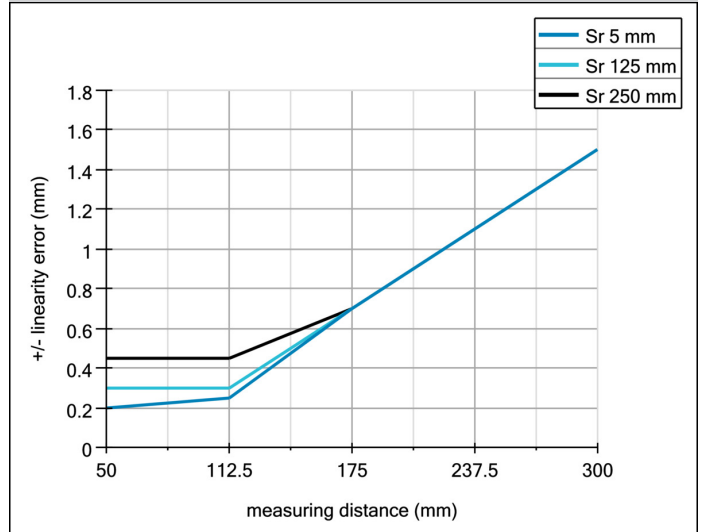
Dimension drawing



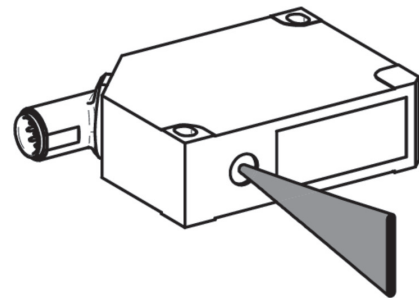
Connection diagram



Linearity error



Beam characteristic (typically)



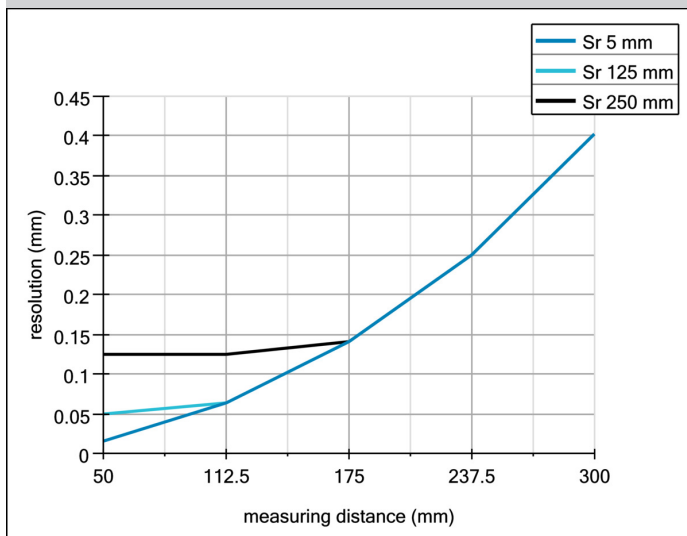
Laser warning



LASER RADIATION
DO NOT STARE INTO BEAM
Wavelength: 640...670nm
IEC 60825-1, Ed. 3, 2014
CLASS 2 LASER PRODUCT

IEC 60825-1/2014 Complies with 21 CFR 1040.10 and 1040.11 except for conformance with IEC 60825-1 Ed. 3., as described in Laser Notice No. 56, dated May 8, 2019

Resolution



OADM 20I6591

Distance sensors - high vibration resistance

Article number: 10165976

Alignment of the laserline

