

Overview

- 1,6 mm
- NPN break function (NC)
- connector M8
- -25 ... 75 °C
- IP 67



Picture similar



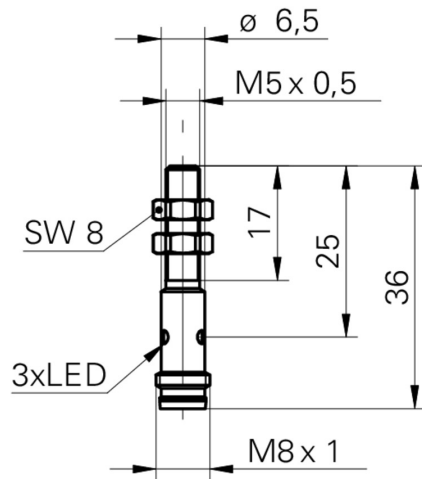
Technical data

| General data | | Electrical data | |
|--|------------------------------|-----------------------------|----------------------|
| Mounting type | Flush | Short circuit protection | Yes |
| Nominal sensing distance S _n | 1,6 mm | Reverse polarity protection | Yes |
| Hysteresis | 2 ... 20 % of S _r | Mechanical data | |
| Output indicator | 3 port LED red | Type | Cylindrical threaded |
| Electrical data | | Material (sensing face) | LCP |
| Switching frequency | < 3 kHz | Housing material | Stainless steel |
| Voltage supply range +V _s | 6 ... 30 VDC | Dimension | 5 mm |
| Current consumption max. (no load) | 12 mA | Housing length | 36 mm |
| Output circuit | NPN break function (NC) | Connection types | Connector M8 |
| Voltage drop V _d | < 2 VDC | Tightening torque max. | 2 Nm (Front: 1,4 Nm) |
| Output current | < 200 mA | Ambient conditions | |
| | | Operating temperature | -25 ... +75 °C |
| | | Protection class | IP 67 |

Remarks

- M8 x 1 quick disconnect
- 3 port LED

Dimension drawing



Connection diagram

