

**Overview**

- 1,6 mm
- PNP make function (NO)
- connector M8
- -25 ... 75 °C
- IP 67



Picture similar



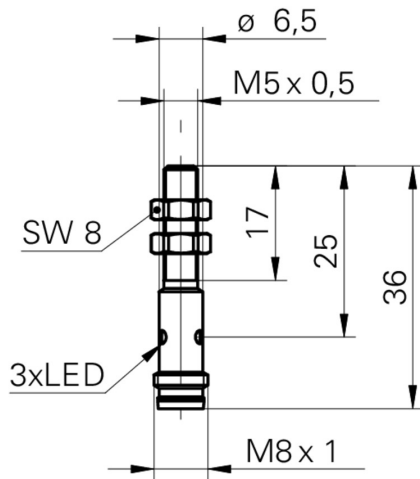
**Technical data**

General data		Electrical data	
Mounting type	Flush	Short circuit protection	Yes
Nominal sensing distance S <sub>n</sub>	1,6 mm	Reverse polarity protection	Yes
Hysteresis	2 ... 20 % of S <sub>r</sub>	Mechanical data	
Output indicator	3 port LED red	Type	Cylindrical threaded
Electrical data		Material (sensing face)	LCP
Switching frequency	< 3 kHz	Housing material	Stainless steel
Voltage supply range +V <sub>s</sub>	6 ... 30 VDC	Dimension	5 mm
Current consumption max. (no load)	12 mA	Housing length	36 mm
Output circuit	PNP make function (NO)	Connection types	Connector M8
Voltage drop V <sub>d</sub>	< 2 VDC	Tightening torque max.	2 Nm (Front: 1,4 Nm)
Output current	< 100 mA	Ambient conditions	
		Operating temperature	-25 ... +75 °C
		Protection class	IP 67

**Remarks**

- M8 x 1 quick disconnect
- 3 port LED

**Dimension drawing**



**Connection diagram**

