

**Overview**

- 1 mm
- PNP break function (NC)
- flylead connector M8
- -25 ... 75 °C
- IP 67



Picture similar

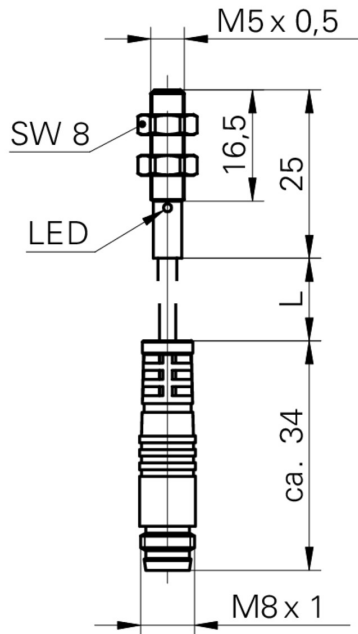


**Technical data**

| General data                               |                              | Electrical data             |                      |
|--|------------------------------|-----------------------------|----------------------|
| Mounting type                              | Flush                        | Short circuit protection    | Yes                  |
| Nominal sensing distance<br>S <sub>n</sub> | 1 mm                         | Reverse polarity protection | Yes                  |
| Hysteresis                                 | 2 ... 20 % of S <sub>r</sub> | Mechanical data             |                      |
| Output indicator                           | LED red                      | Type                        | Cylindrical threaded |
| Electrical data                            |                              | Material (sensing face)     | LCP                  |
| Switching frequency                        | < 5 kHz                      | Housing material            | Stainless steel      |
| Voltage supply range +V <sub>s</sub>       | 6 ... 30 VDC                 | Dimension                   | 5 mm                 |
| Current consumption max.<br>(no load)      | 12 mA                        | Housing length              | 25 mm                |
| Output circuit                             | PNP break function (NC)      | Connection types            | Flylead connector M8 |
| Voltage drop V <sub>d</sub>                | < 2 VDC                      | Tightening torque max.      | 2 Nm (Front: 1,4 Nm) |
| Output current                             | < 200 mA                     | Ambient conditions          |                      |
|  |                              | Operating temperature       | -25 ... +75 °C       |
|  |                              | Protection class            | IP 67                |

2021-06-28 The product features and technical data specified do not express or imply any warranty. Technical modifications subject to change.

**Dimension drawing**



- Standard cable length 200 mm (L)

**Connection diagram**

