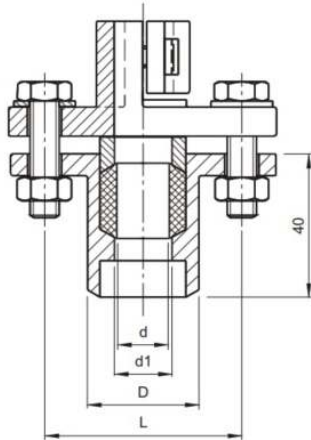


FASTENERS FOR FASTENING THE TEMPERATURE SENSORS

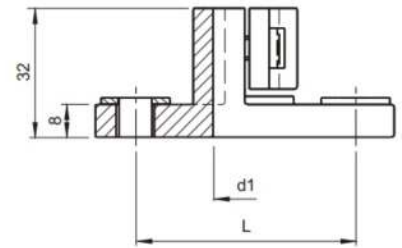
Compression fittings and mounting brackets are used as the additional accessories for temperature sensors without threaded fittings and flanges. Used for sensor mounting in place of measurement, they allow immersion length adjustment since they can be mounted anywhere along the sheath. Compression fittings assure an excellent seal up to 0,1 MPa.

SUZ - MOUNTING BRACKETS

SUZ11



SUZ21



ORDERING

SUZX-X-X

bracket type:

- 11 : counter flange
- 21 : stop flange

sheath diameter:

- 15 : Ø 15 mm
- 22 : Ø 22 mm
- 32 : Ø 32 mm

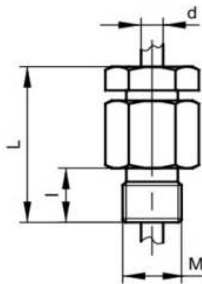
seal:

- T : teflon
- SC : ceramic rope

Bracket type	d [mm]	d1 [mm]	D [mm]	L [mm]
SUZ11-15	Ø15	16	35	55
SUZ21-15	Ø15	16	-	55
SUZ11-22	Ø22	23	40	70
SUZ21-22	Ø22	23	-	70
SUZ11-32	Ø32	33	50	70
SUZ21-32	Ø32	33	-	70

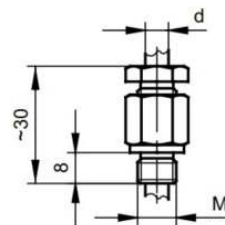
SUG - COMPRESSION FITTINGS

SUG-1



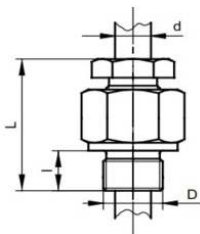
Fitting type	Thread	d [mm]
SUG-1-6	M16x1,5	Ø6
SUG-1-8	M16x1,5	Ø8
SUG-1-12	M20x1,5	Ø12
SUG-1-15	M24x2	Ø15
SUG-1-20	M30x2	Ø20

SUG-3



Fitting type	Thread	d [mm]
SUG-3-1	M8x1	Ø1
SUG-3-1,5	M8x1	Ø1,5
SUG-3-2	M8x1	Ø2
SUG-3-3	M10x1	Ø3
SUG-3-45	M10x1	Ø4,5
SUG-3-6	M10x1	Ø6
SUG-3-8	M12x1	Ø8

SUG-8



Fitting type	Thread	d [mm]	L [mm]	l [mm]	SW
SUG-8-6	M20x1,5 G1/2	Ø6	50	15	30
SUG-8-8		Ø8			
SUG-8-10		Ø10			
SUG-8-12		Ø12			
SUG-8-14	M27x2 G3/4	Ø14	55	20	36
SUG-8-15		Ø15			

ORDERING

SUGX-X

version:

- 1 : material: zinc-coated steel A10, seal: ceramic rope
- 3 : material: stainless steel 1.4541, seal: stainless steel ring 1.4541
- 8 : material: stainless steel 1.4541, seal: stainless steel ring 1.4541, teflon

sheath diameter:

- 6 : Ø 6 mm
- 8 : Ø 8 mm
- other, acc. to the tables

