

Overview

- 2 mm
- NPN make function (NO)
- flylead connector M8
- -25 ... 75 °C
- IP 67



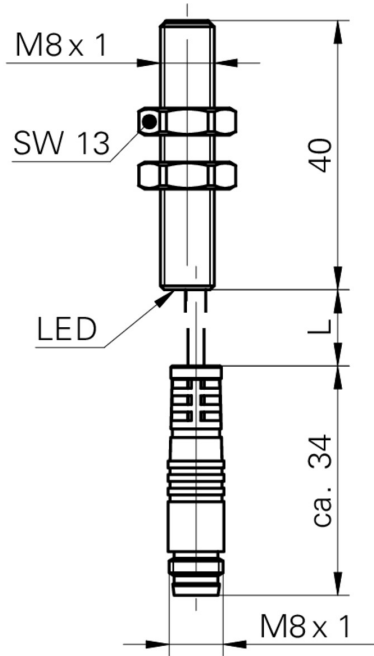
Picture similar



Technical data

General data		Electrical data	
Mounting type	Flush	Short circuit protection	Yes
Nominal sensing distance	2 mm	Reverse polarity protection	Yes
Nominal sensing distance	Sn	Mechanical data	
Hysteresis	3 ... 20 % of Sr	Type	Cylindrical threaded
Output indicator	LED red	Material (sensing face)	PBT
Electrical data		Housing material	Stainless steel
Switching frequency	< 5 kHz	Dimension	8 mm
Voltage supply range +Vs	6 ... 36 VDC	Housing length	40 mm
Current consumption max. (no load)	12 mA	Connection types	Flylead connector M8
Output circuit	NPN make function (NO)	Tightening torque max.	10 Nm (Front: 7 Nm)
Voltage drop Vd	< 2 VDC	Ambient conditions	
Output current	< 200 mA	Operating temperature	-25 ... +75 °C
		Protection class	IP 67

Dimension drawing



- Standard cable length 200 mm (L)

Connection diagram

