



## SCR104

- temperature range  $-50 \div 550^{\circ}\text{C}$
- operating temperature of connection heads max.  $150^{\circ}\text{C}$
- stainless steel sheath
- threaded process connection
- optional: sensor with a replaceable measuring insert
- possibility of mounting a 4...20 mA or 0...10 V temperature transmitter
- connection head DANW with local display

The resistance thermometer **SCR104** consists of an exchangeable measuring insert, outer protective tube (thermowell) with neck, and aluminum connection head. Mounting a temperature transmitter with 4...20 mA or 0...10V output signal is possible. The measuring insert represents the replaceable element of the complete sensor, which reduces the time and costs of maintenance of the measuring apparatus installed in the object. Spring fixation of the measuring insert provides perfect pressure to the bottom of the protecting tube, reduces the time of reaction of temperature changes, and increases the accuracy. It also reduces natural vibration. Thus, mechanical and electrical defects can be avoided.

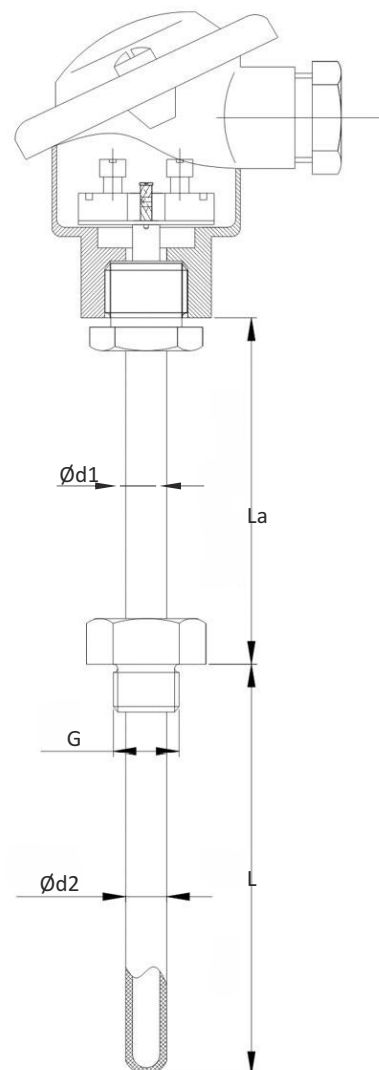
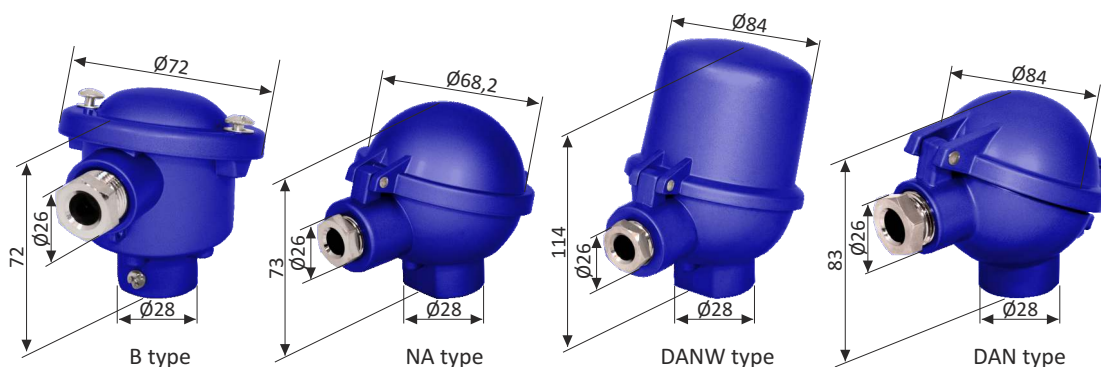
### Application areas:

- fine chemical industry,
- light energy industry,
- general industrial services.

### TECHNICAL DATA

Sensing element	Pt100, Pt500, Pt1000, Ni100 (2-, 3- or 4-wire)
Measuring range	$-50 \div 550^{\circ}\text{C}$
Connection head	B, NA or other, operating temperature $-40 \div 150^{\circ}\text{C}$
Class	A, B or 1/3 B
Sheath	material: stainless steel 1.4541 or other nominal length: 130 mm (standard) or other diameter: $4 \div 22$ mm
Process connection	G1/2", M20x1,5, 1/2 NPT or other

### CONNECTION HEAD TYPES

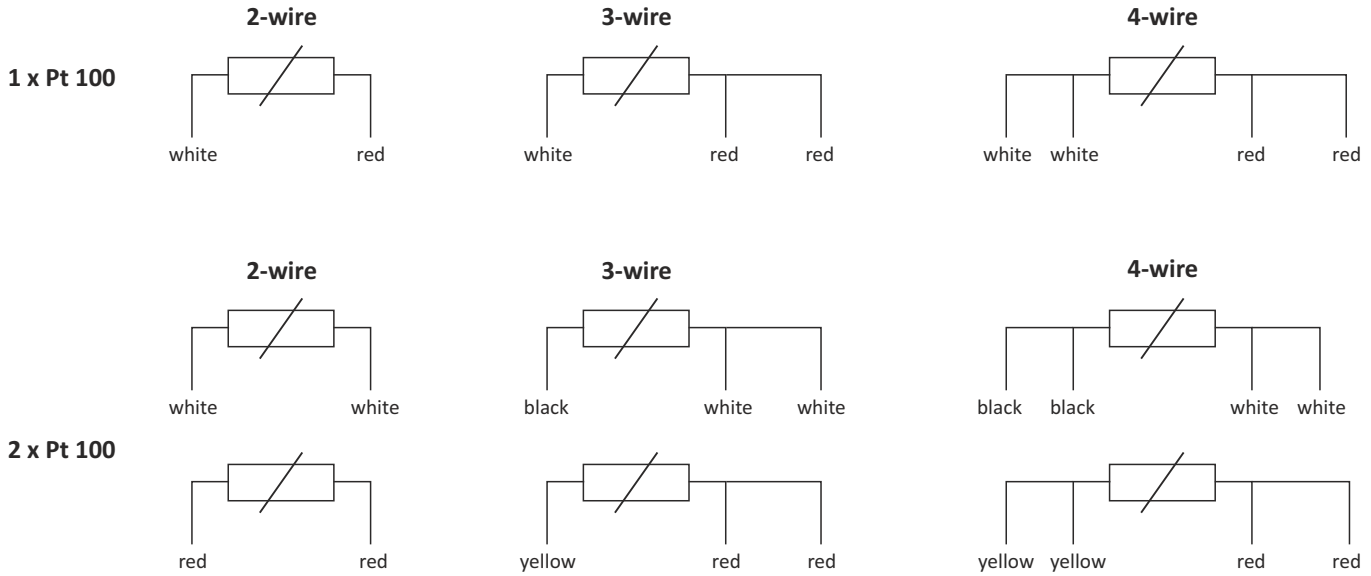


### RESISTOR TOLERANCE ACC. TO PN-EN 60751

Class	Tolerance [ $^{\circ}\text{C}$ ]
1/3B	$t = 0,10 + 0,002 \times  t $
A	$t = 0,15 + 0,002 \times  t $
B	$t = 0,30 + 0,005 \times  t $



**ELECTRICAL CONNECTION**



**ORDERING**

**SCR104-X-X-X-X-X-X-X-X-X-X**

- temperature sensor:**
  - 1 : single
  - 2 : double
  - PP : with transmitter
- sensing element:**
  - Pt 100
  - Pt 500
  - Pt 1000
  - other, please specify
- connection head:**
  - B
  - NA
  - other, please specify
- sheath length (L):**
  - 100 mm
  - 160 mm
  - other, please specify [mm]
- length La [mm]:**
  - S : 130 mm (standard)
  - other, please specify
- sensor measuring range or temperature transmitter settings:**
  - please specify
- measuring circuit:**
  - 2 : 2-wire
  - 3 : 3-wire
  - 4 : 4-wire
- accuracy class:**
  - A
  - B
  - 1/3B
- process connection:**
  - G1/2"
  - M20x1,5
  - other, please specify
- sheath diameter (Ød2/Ød1):**
  - 4/6 : Ø 4/6 mm
  - 6/8 : Ø 6/8 mm
  - 7/9 : Ø 7/9 mm
  - other, please specify
- measuring insert:**
  - BW : non-replaceable
  - W : replaceable

Ordering example:

**SCR104-1-Pt100-B-100-S-W-6/8-G1/2-B-2-250°C**

Single RTD temperature sensor, 1xPt100, B tolerance class, 2-wire, measuring insert replaceable, B connection head, process connection: G1/2, sheath diameter d1 Ø6 mm, length L=100 mm, sheath diameter d2 Ø8 mm and length L=130 mm, sensor measuring range 250°C.

