



SCR103

- temperature range $-50 \div 550^{\circ}\text{C}$
- operating temperature of connection heads max. 150°C
- stainless steel sheath
- threaded process connection
- optional: sensor with a replaceable measuring insert
- possibility of mounting a 4...20 mA or 0...10 V temperature transmitter
- connection head DANW with local display

The resistance thermometer **SCR103** consists of an exchangeable measuring insert, outer protective tube (thermowell) with neck, and aluminum connection head. Mounting a temperature transmitter with 4...20 mA or 0...10V output signal is possible. The measuring insert represents the replaceable element of the complete sensor, which reduces the time and costs of maintenance of the measuring apparatus installed in the object. Spring fixation of the measuring insert provides perfect pressure to the bottom of the protecting tube, reduces the time of reaction of temperature changes, and increases the accuracy. It also reduces natural vibration. Thus, mechanical and electrical defects can be avoided.

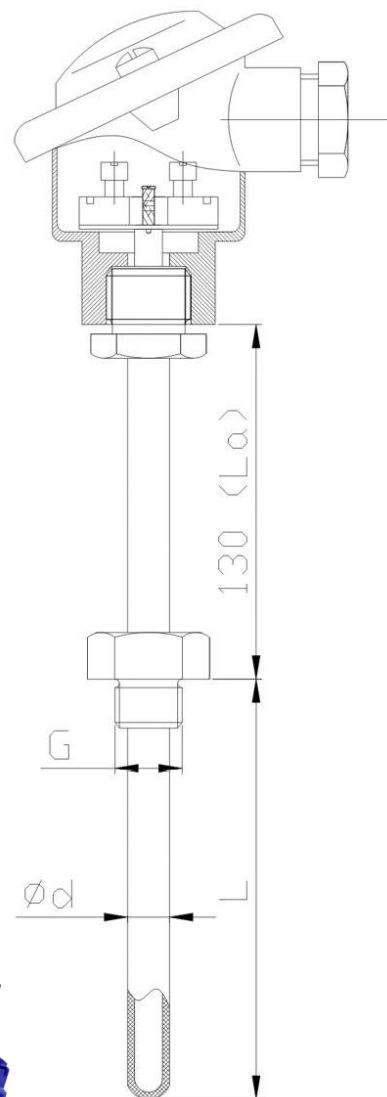
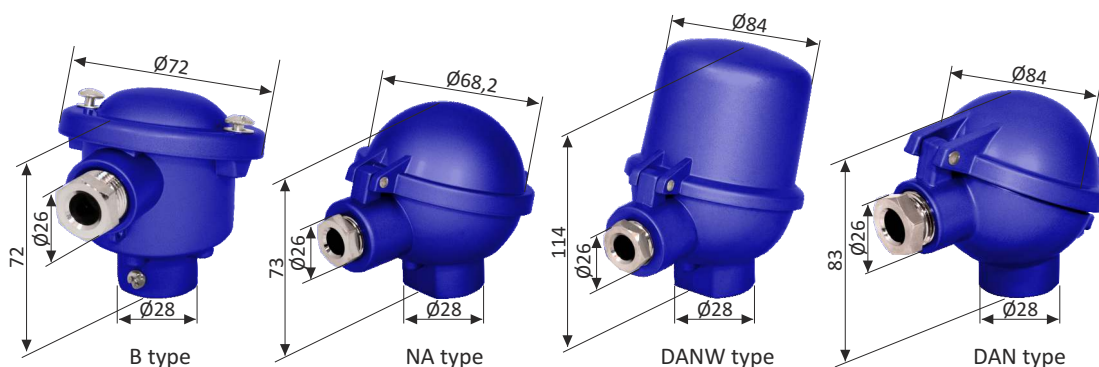
Application areas:

- fine chemical industry,
- light energy industry,
- general industrial services.

TECHNICAL DATA

Sensing element	Pt100, Pt500 or Pt1000 (2-, 3- or 4-wire)
Measuring range	$-50 \div 550^{\circ}\text{C}$
Connection head	B, NA or other, operating temperature $-40 \div 150^{\circ}\text{C}$
Class	A, B or 1/3 B
Sheath	material: stainless steel 1.4541 or other nominal length: 130 mm (standard) or other diameter: $4 \div 15$ mm
Process connection	G1/2", M20x1,5 or other

CONNECTION HEAD TYPES

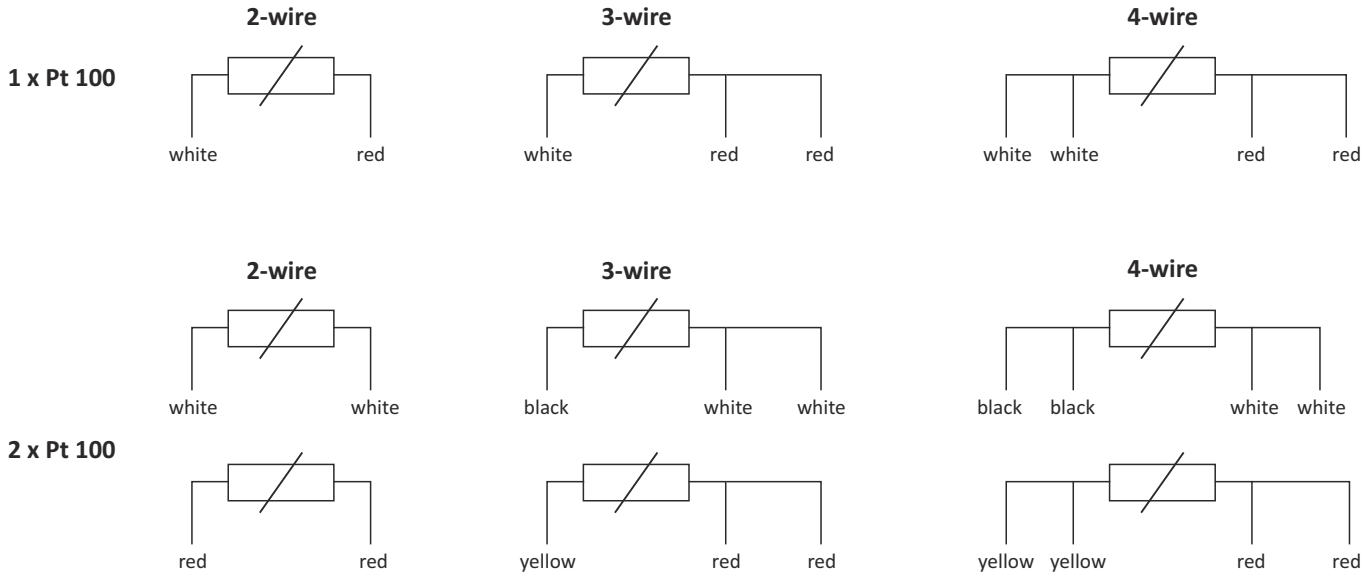


RESISTOR TOLERANCE ACC. TO PN-EN 60751

Class	Tolerance [$^{\circ}\text{C}$]
1/3B	$t = 0,10 + 0,002 \times t $
A	$t = 0,15 + 0,002 \times t $
B	$t = 0,30 + 0,005 \times t $



ELECTRICAL CONNECTION



ORDERING

SCR103-X-X-X-X-X-X-X-X-X-X

<p>temperature sensor:</p> <ul style="list-style-type: none"> 1 : single 2 : double PP : with transmitter <p>sensing element:</p> <ul style="list-style-type: none"> Pt 100 Pt 500 Pt 1000 other, please specify <p>connection head:</p> <ul style="list-style-type: none"> B NA other, please specify <p>sheath length (L):</p> <ul style="list-style-type: none"> 100 mm 160 mm other, please specify [mm] <p>length La [mm]:</p> <ul style="list-style-type: none"> S : 130 mm (standard) other, please specify 	<p>sensor measuring range or temperature transmitter settings:</p> <p>please specify</p> <p>measuring circuit:</p> <ul style="list-style-type: none"> 2 : 2-wire 3 : 3-wire 4 : 4-wire <p>accuracy class:</p> <ul style="list-style-type: none"> A B 1/3B <p>process connection:</p> <ul style="list-style-type: none"> G1/2" M20x1,5 other, please specify <p>sheath diameter (Ød):</p> <ul style="list-style-type: none"> 4 mm 6 mm 9 mm other, please specify <p>measuring insert:</p> <ul style="list-style-type: none"> BW : non-replaceable W : replaceable
--	--

Ordering example:

SCR103-1-Pt100-B-100-S-W-6-M20x1,5-B-2-250°C

Single RTD temperature sensor, 1xPt100, B tolerance class, 2-wire, measuring insert replaceable, B head type, process connection: M20x1,5, sheath diameter ø6 mm and length L=100 mm, sensor measuring range 250°C.

